

Junction boxes DE and pushbutton boards PE  
pag.1

Junction boxes DS and pushbutton boards PS  
pag.3

accessories for DS and PS  
pag.6

## 4. PUSH-BUTTON BOARDS AND JUNCTION BOXES



• WALL-MOUNT FASTENERS

• PUSHBUTTONS

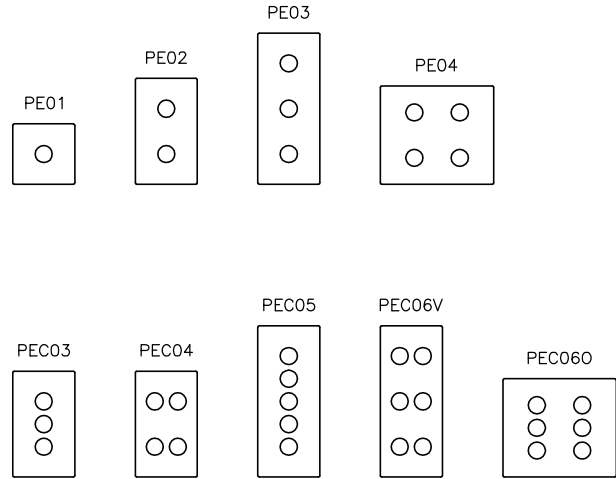
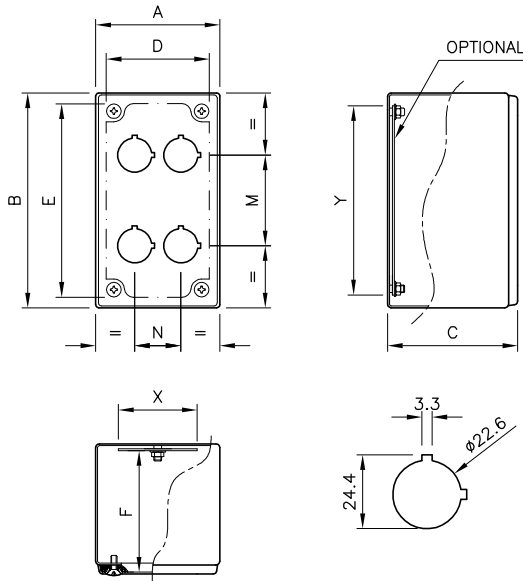
• WIRED PUSHBUTTON

• JUNCTION BOX



## PUSHBUTTONS “PE” AND JUNCTION BOX ES “DE”

- EN 1.4301 (AISI 304) s/s execution, thickness 12/10, fine satin-finish. On request, they can be made from other types of s/s and customized to meet specific requirements.
- Cutting-edge welding procedures enable to maintain unaltered the chemical formulation of the material thus avoiding corrosion in the weld areas.
- The cover is secured by screws provided with sealing and leak-proof washers.
- Gasket made of closed-cell foamed silicone rubber, oil-proof and self-extinguishing.
- Protection degree IP66 when appropriate components are properly installed, as per CEI EN 60529 rules.
- Pre-arrangement for earthing in compliance with the applicable rules.
- All boxes feature stud bolts to secure the DIN bar, if any.
- The PE series features drilled cover to accommodate the Ø 22,5 standardized push-button panel.
- Inner plate in sendzimir execution, available on demand from models PE2, DE02, PEC03 and PEC04.



### PUSHBUTTONS “PE”

Detailed drawings per each box can be downloaded from our site [www.ilinox.com](http://www.ilinox.com)

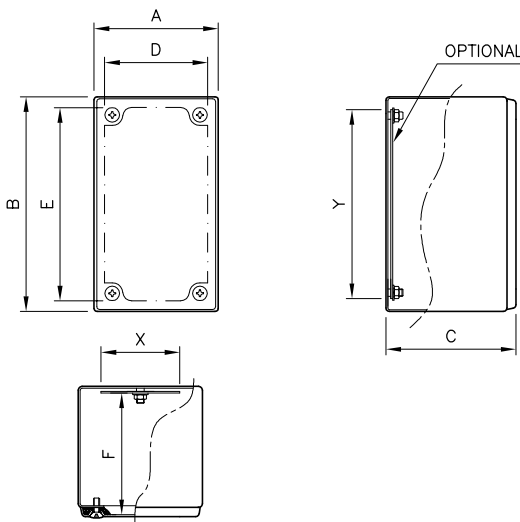
ITEM	outside sizes			useful surface			centre distance		MATERIAL		inner plate (optionals)		
	A	B	C	D	E	F	M	N	type	thickness	ITEM	X	Y
PE01/304	82	82	86	68	68	80	-	-	AISI304	12/10	-	-	-
PE02/304	82	142	86	68	128	80	60	-	AISI304	12/10	PI02	125	52
PEC03/304	82	142	86	68	128	80	30	-	AISI304	12/10	PI02	125	52
PEC04/304	82	142	86	68	128	80	60	30,5	AISI304	12/10	PI02	125	52
PE03/304	82	202	86	68	188	80	60	-	AISI304	12/10	PI03	185	52
PEC05/304	82	202	86	68	188	80	30	-	AISI304	12/10	PI03	185	52
PEC06V/304	82	202	86	68	188	80	60	30,5	AISI304	12/10	PI03	185	52
PE04/304	132	152	86	118	138	80	60	60	AISI304	12/10	PI04	135	102
PEC06O/304	132	152	86	118	138	80	60	30	AISI304	12/10	PI04	135	102



**IP66** EN 60 529



EN 60204-1  
89/392/EEC



### JUNCTION BOX ES “DE”

Detailed drawings per each box can be downloaded from our site [www.ilinox.com](http://www.ilinox.com)

ITEM	inside sizes			useful surface			MATERIAL		inner plate (optionals)		
	A	B	C	D	E	F	type	thickness	ITEM	X	Y
DE01/304	82	82	86	68	68	80	AISI304	12/10	-	-	-
DE02/304	82	142	86	68	128	80	AISI304	12/10	PI02	125	52
DE03/304	82	202	86	68	188	80	AISI304	12/10	PI03	185	52
DE04/304	132	152	86	118	138	80	AISI304	12/10	PI04	135	102



**IP66** EN 60 529



EN 60204-1  
89/392/EEC



• WALL-MOUNT FASTENERS



• PUSHBUTTONS



• WIRED PUSHBUTTON

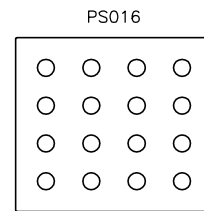
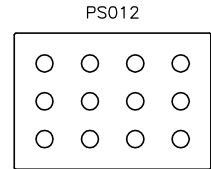
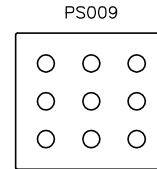
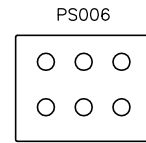
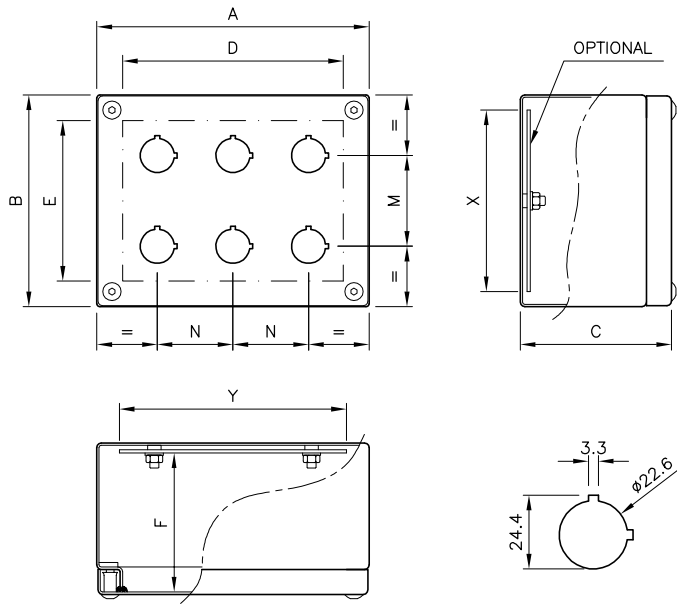


• JUNCTION BOX



## “PS” PUSH-BUTTON PANELS AND “DS” JUNCTION BOXES

- EN 1.4301 (AISI 304) s/s execution, thickness 12/10, fine satin-finish. Available on demand in other types of s/s, as well as customized.
- Cutting-edge welding procedures enable to maintain unaltered the chemical formulation of the material thus avoiding corrosion in the weld areas.
- The cover is secured by special “leak-proof” M5 screws.
- Gasket made of closed-cell foamed silicone rubber, oil-proof and self-extinguishing.
- Protection degree IP66, when appropriate components are properly installed, as per CEI EN 60529 rules.
- Pre-arrangement for earthing in compliance with the applicable rules. For the push-button panel, a special collar of tinned brass is supplied for positioning under a block, in direct contact with the sheet.
- On the bottom are applied S/S M6 stud bolts to secure structural steel and bars.
- The PS series has a drilled cover to accommodate the Ø 22,5 standardized push-button panel.
- Inner plate in sendzimir execution (on request).
- The enclosures of the series PS-DS can be pressurized according to CEI 64-2 and CEI 31-1 for A-SI security systems and enclosures featuring Ex-p inside overpressure.



## PUSHBUTTONS "PS"

Detailed drawings per each box can be downloaded from our site [www.ilinox.com](http://www.ilinox.com)

ITEM	outside sizes			useful surface			centre distance		Material			inner plate (optional)		
	A	B	C	D	E	F	M	N	type	spess. cop.	spess. fasc.	ITEM	X	Y
PS6H/304	190	150	100	150	110	90	60	50	AISI304	15/10	12/10	PI006	172	110
PS9H/304	210	190	100	170	150	90	50	60	AISI304	15/10	12/10	PI009	192	150
PS12H/304	270	190	100	230	150	90	50	60	AISI304	15/10	12/10	PI012	252	150
PS16H/304	270	240	100	230	200	90	50	60	AISI304	15/10	12/10	PI016	252	200
PS06H/316	190	150	100	150	110	90	60	50	AISI316L	15/10	15/10	PI006	172	110
PS09H/316	210	190	100	170	150	90	50	60	AISI316L	15/10	15/10	PI009	192	150
PS12H/316	270	190	100	230	150	90	50	60	AISI316L	15/10	15/10	PI012	252	150
PS16H/316	270	240	100	230	200	90	50	60	AISI316L	15/10	15/10	PI016	252	200

UL certification to be requested with the order

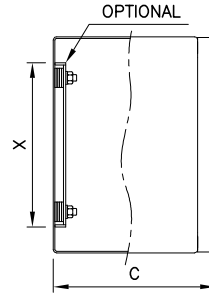
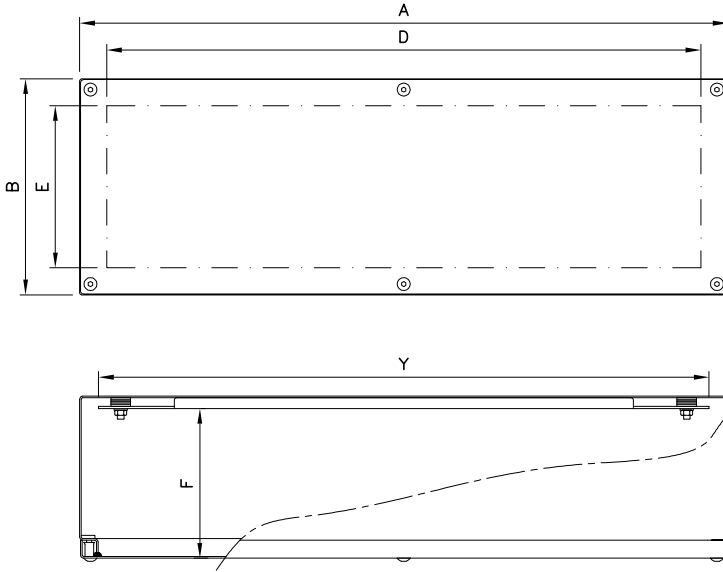
**IP66** EN 60 529

---

**TYPE NEMA 4X,12, 1, 4**
 Standard UL508A - UL50 Standard 250



---

EN 60-204-1 89/392/EEC



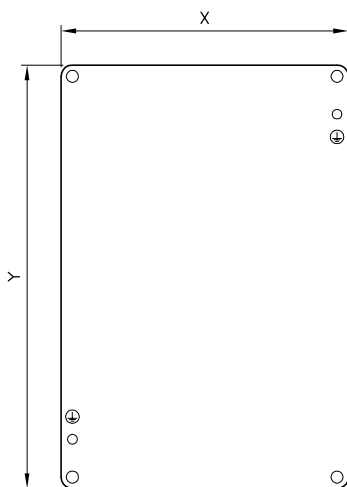
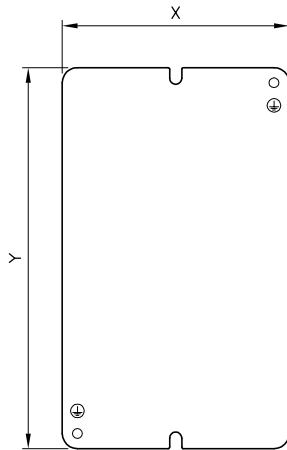
### JUNCTION BOX ES "DS"

Detailed drawings per each box can be downloaded from our site [www.ilinox.com](http://www.ilinox.com)

	<b>IP66</b>	EN 60 529
	<b>TYPE NEMA 4X, 12, 1, 4</b>	Standard UL508A - UL50 Standard 250
		EN 60-204-1 89/392/EEC

ITEM	outside sizes			useful surface			material			inner plates (optional)		
	A	B	C	D	E	F	type	spess. cop.	spess. fasc.	ITEM	X	Y
DS006/304	190	150	125	150	110	115	AISI304	15/10	12/10	PI006	172	110
DS009/304	210	190	125	170	150	115	AISI304	15/10	12/10	PI009	192	150
DS012/304	270	190	125	230	150	115	AISI304	15/10	12/10	PI012	252	150
DS016/304	270	240	125	230	200	115	AISI304	15/10	12/10	PI016	252	200
DS020/304	320	230	150	280	190	140	AISI304	15/10	12/10	PI020	280	190
DS025/304	320	280	150	280	240	140	AISI304	15/10	12/10	PI025	280	240
DS043/304	400	300	150	360	260	140	AISI304	15/10	12/10	PI043	360	260
DS006/316	190	150	125	150	110	115	AISI316L	15/10	15/10	PI006	172	110
DS010/316	210	210	125	170	170	115	AISI316L	15/10	15/10	PI010	192	170
DS012/316	270	190	125	230	150	115	AISI316L	15/10	15/10	PI012	252	150
DS016/316	270	240	125	230	200	115	AISI316L	15/10	15/10	PI016	252	200
DS020/316	320	230	150	280	190	140	AISI316L	15/10	15/10	PI020	280	190
DS025/316	320	280	150	280	240	140	AISI316L	15/10	15/10	PI025	280	240
DS040/316	400	200	150	360	160	140	AISI316L	15/10	15/10	PI040	360	160
DS060/316	600	200	150	550	150	140	AISI316L	15/10	15/10	PI060	565	152

UL certification to be requested with the order

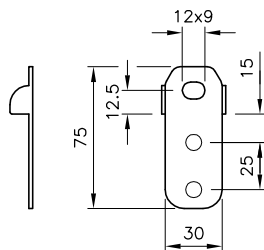


### INNER PLATES

Available starting from models PS02, DS02, PE02, DE02, PEC03 and PEC04, they come in sendzimir execution and, on demand, in s/s. The plate is secured by the stud bolts set inside the enclosure.

ITEM	sizes		for box
	X	Y	
PI02	125	52	PE02 - DE02 - PEC03 - PEC04
PI03	185	52	PE03 - DE03 - PEC05 - PEC06V
PI04	135	102	PE04 - DE04 - PEC060
PI006	172	110	PS006 - DS006
PI009	192	150	PS009 - DS009
PI010	192	170	DS010
PI012	252	150	PS012 - DS012
PI016	252	200	PS016 - DS016

ITEM	sizes		for box
	X	Y	
PI020	280	190	DS020
PI025	280	240	DS025
PI040	360	160	DS040
PI043	360	260	DS043
PI060	565	152	DS060



### WALL-MOUNT FASTENERS

AISI 316 s/s execution, they come in assembling kit and can easily be applied by drilling two holes  $\varnothing 8$  in the enclosure bottom. Water proofing and tightness to dust remains unchanged since they are equipped with suitable seals.

- **SP021** 2-pcs kit .
- **SP025** 4-pcs kit (for DS40, DS43, DS60)

### OTHER ACCESSORIES

in the section “accessories for SMALL CABINETS”



CABLE GLANDS



GRIP HANDLES



ELECTROCONDUCTIVE GASKET

in the section “accessories for CABINETS”