

Ex Horns and Sirens

Signalisation index	
Audible	
Continuous Tone	4
Signal Horn	6
Multi-Tone Sounder	6

Your benefits

Ex Horns and Sirens from WERMA have been developed specifically for use in potentially explosive atmospheres. The Ex signalling devices are designed for use in explosive gas and vapour atmospheres (zones 1 and 2).

- Many years of proven use in potentially explosive areas
- Light and compact design for easy mounting
- Diverse signalling options

Typical applications

Signalling of faults or alarms

- during the processing or filling of highly flammable substances (gases and/or vapours and liquids)
- during storage of highly flammable substances (gases and/or vapours and liquids)
- in industrial plants with flammable dust atmospheres (e.g. metal processing, sawmills, mills, powdered milk processing plants)

Installation options

- Wall mounting

Features

- For use with or without the use of a safety barrier (depend on product)
- Proven technology with ATEX and IECEx certifications

761:

- „E“ terminal box for easy connection; approved for use in gas and dust applications (zones 1 and 21)





Cap (accessory)



Zener Barrier (accessory)

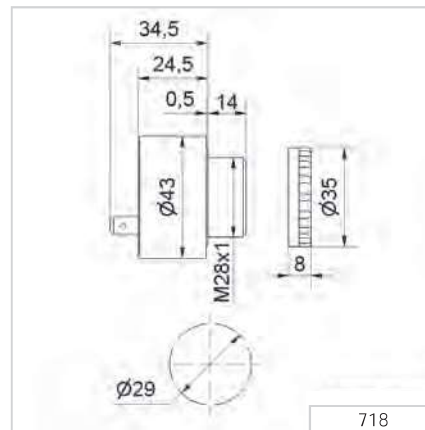
i TECHNICAL SPECIFICATIONS/ORDER SPECIFICATIONS:

Dimensions (Ø x Height):	43 mm x 13 mm (Protrusion from panel)			
Housing:	PC/ABS-Blend			
Connection:	Spades 6.3 x 0.8 mm			
Tone frequency:	C. 2,400 Hz			
Duty cycle:	100 % ED			
Explosion protection:	Ex II 2G Ex ib IIC T4 / T5 / T6 Gb			
Approval:	DMT 98 ATEX E 005 X			
Maximum values of the Zener barrier:	Ui: 40 V DC, Ii: 660 mA			
Minimum values of the Zener barrier:	For 24 V DC 15 V DC/ 20 mA			
Maximum Input Power Pi:	Temp.-classes	Max. surrounding temperature		
		+ 40°C	+ 50°C	+ 60°C
	T4	Pi= 1,3 W	Pi= 1,2 W	Pi= 1,0 W
	T5	Pi= 0,82 W	Pi= 0,66 W	Pi= 0,52 W
T6	Pi= 0,6 W	Pi= 0,45 W	Pi= 0,3 W	
Voltage:	24 V DC			
Current consumption:	20 mA			
Order No.:	718 000 55			

ACCESSORIES:

PC/ABS-Blend Cap (IP 43)	975 118 00
Zener Barrier	975 714 01

TECHNICAL DIAGRAM:



Signalisation index

Continuous tone

CE Ex 2 G Zone 1 + 2 50 g with cap IP30 IP43 +60°C 0°C 90 dB



Zener Barrier (accessory)

i TECHNICAL SPECIFICATIONS/ORDER SPECIFICATIONS:

Dimensions (Ø x Height):	93 mm x 103 mm
Housing:	ABS
Connection:	Screw terminal max. 2.5 mm ²
Cable entry:	Cable diameter max. 12 mm
Duty cycle:	100%
Tone types and frequencies:	Selectable via switched, see table below
Fixing:	Wall mounting, Bodenmontage
Installation position:	Sound outlet not facing upwards
Explosion protection:	Ex II 1G Ex ia IIC T4 Ga
Approval:	Baseefa 06 ATEX 0161
Voltage:	24 V DC
Current consumption:	14 mA
Order No.:	714 000 55

ACCESSORIES:

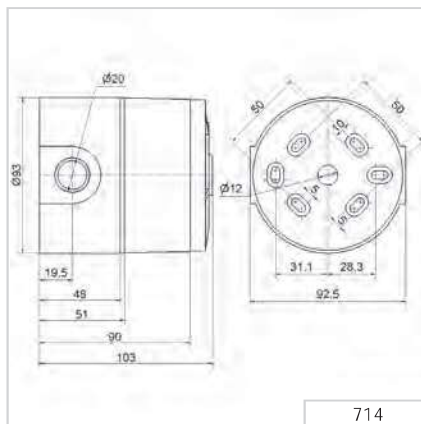
Zener Barrier	975 714 01
---------------	------------

♪ TONE TYPES AND FREQUENCIES:

selectable via DIP switch, 2 tones externally triggered

Ton A No.	Tone type	Ton A No.	Tone type
1	alternating 800/970 Hz in 2 Hz stroke	14	continuous 970 Hz
2	rising 800/970 Hz in 7 Hz stroke	15	554 Hz/100 ms alternating 440 Hz/400 ms
3	rising 800/970 Hz in 1 Hz stroke	16	660 Hz pulse: 150 ms ON, 150 ms OFF
4	continuous 2,850 Hz	17	660 Hz pulse: 1.8 sec. ON, 1.8 sec OFF
5	rising 2,400-2,850 Hz in 7 Hz stroke	18	660 Hz pulse: 6.5 sec. ON, 13 sec OFF
6	rising 2,400-2,850 Hz in 1 Hz stroke	19	continuous 660 Hz
7	500-1,200 Hz rising in 3 sec., 0.5 sec OFF	20	alternating 554/440 Hz in 0.5 Hz stroke
8	falling 1,200-500 Hz in 1 Hz stroke	21	pulse 660 Hz in 1Hz stroke
9	alternating 2,400/2,850 Hz in 2 Hz stroke	22	2,850 Hz pulse: 150 ms ON / 100 ms OFF
10	pulse 970 Hz in 0.5 Hz stroke	23	rising 800/970 Hz in 50 Hz stroke
11	alternating 800/970 Hz in 1 Hz stroke	24	rising 2,400-2,850 Hz in 50 Hz stroke
12	pulse 2,850 Hz in 0.5 Hz stroke	25	970 Hz pulse: 3 x 500 ms ON, 500 ms OFF, 1.5 sec. pause
13	970 Hz pulse: 0.25 sec. ON / 1 sec. OFF	26	2,850 Hz pulse: 3 x 500 ms ON, 500 ms OFF, 1.5 sec. pause

TECHNICAL DIAGRAM:



Signalisation index	
Multi-tone sounder	6

1 G
Zone 0, 1 + 2

300 g

IP65

+55°C
-20°C

Up to 103 dB

26

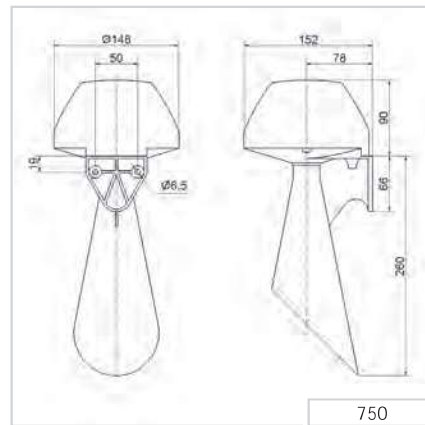




i TECHNICAL SPECIFICATIONS/ORDER SPECIFICATIONS:

Dimensions (L x H x W): 148 mm x 350 mm x 152 mm					
Housing: PC/ABS-Blend					
Connection: Cable 3 m, 2 x 0,75 mm ²					
Fixing: Bracket mounting, sound outlet facing downwards					
Explosion protection: Ex II 2G Ex mb IIC T5 Gb					
Approval: BVS 03 ATEX E 118X					
Voltage:	24 V DC	24 V AC	42-48 V AC	115 V AC	230 V AC
Voltage:	21,6 V ...	21,6 V ...	37,8 V ...	102,5 V ...	108 V ...
	26,4 V	26,4 V	52,8 V	126,5 V (50 Hz)	131 V (60 Hz)
Current consumption:	350 mA	450 mA	220 mA	205 mA	70 mA
Order No.:	750 000 55	750 000 65	750 000 66	750 000 67	750 000 68

2 TECHNICAL DIAGRAM:



Signalisation index	
Horn	6

2 G
Zone 1 + 2

1,3 kg

IP55

+50°C
-40°C

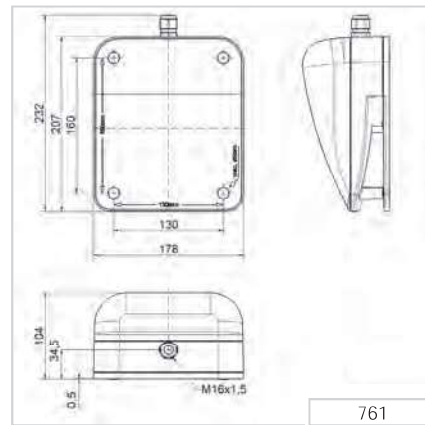
105 dB



i TECHNICAL SPECIFICATIONS/ORDER SPECIFICATIONS:

Dimensions (L x H x W): 178 mm x 104 mm x 207 mm					
130 mm x 160 mm					
Housing: PC					
Connection: CAGE CLAMP® max. 2.5 mm ²					
Cable entry: Cable gland M16 x 1.5 mm; Cable diameter 6,5-9,5 mm					
Fixing: Wall mounting, base mounting					
Explosion protection: Ex II 2G Ex e mb IICT5 Gb					
Ex II 2D Ex tb IIIC T 70°C Db					
Approval: BVS O3 ATEX E 118X					
Voltage:	24 V DC	24 V AC	48 V AC	115 V AC	230 V AC
Voltage:	21,6 V ...	21,6 V ...	37,8 V ...	102,5 V ...	108 V ...
	26,4 V	26,4 V	52,8 V	126,5 V (50 Hz)	131 V (60 Hz)
Current consumption:	350 mA	450 mA	220 mA	205 mA	70 mA
Order No.:	761 000 55	761 000 65	761 000 66	761 000 67	761 000 68

TECHNICAL DIAGRAM:



Signalisation index	
Horn	6

2 G	2 D
Zone 1 + 2	Zone 21 + 22

