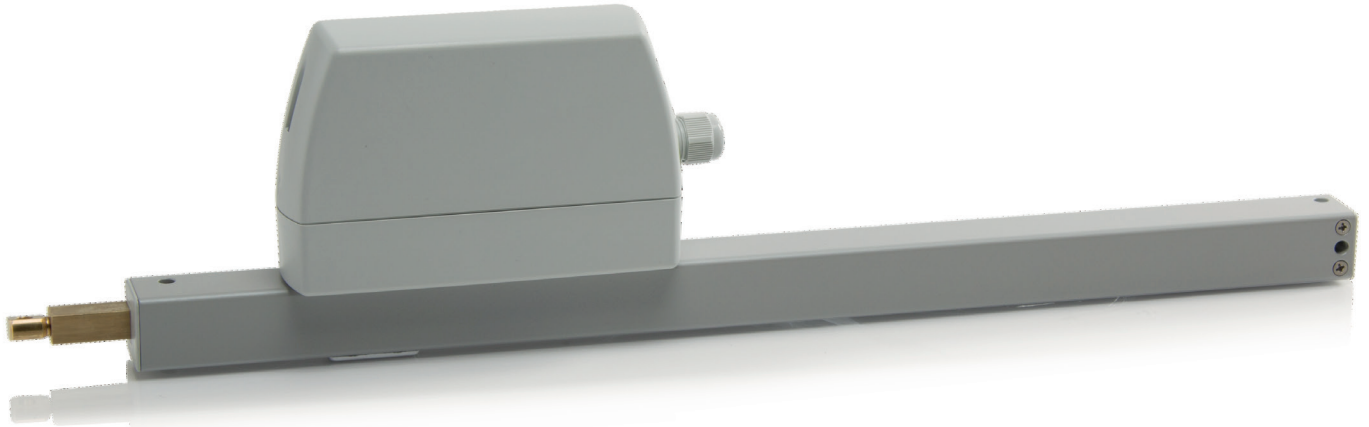


ZA 35 drive



G 500001



B 08 11 22802 026



Find out about permission details from your D+H Partner

Performance features

- » Can be used for openings for smoke exhaust; D+H Euro SHEV in accordance with EN 12101-2; and for daily ventilation
- » With motor electronics controlled via microprocessor
- » Low current consumption thanks to high efficiency
- » Option of cable infeed above and below
- » Drive unit can be changed from left to right
- » Programmable drive functions and different drive parameters
- » Running speed in CLOSED direction decreases to 5 mm/s (passive closing edge protection)
- » Time-controlled reversing when an obstacle is detected in the CLOSED direction (active closing edge protection)

Accessories

Brackets



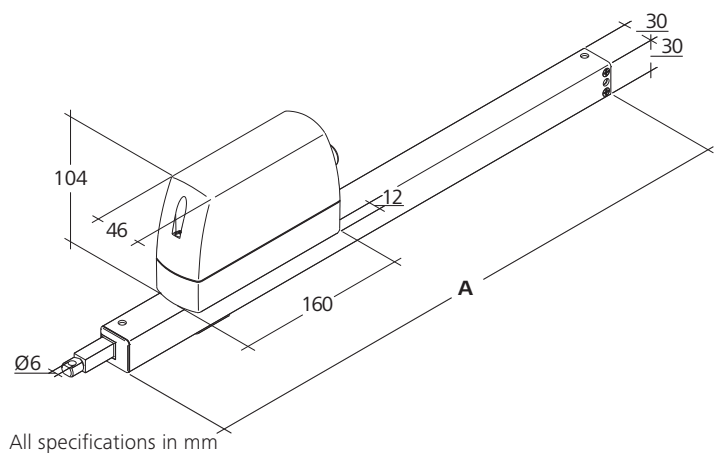
Cables



Technical data

Supply	24 V DC / $\pm 15\%$ / 0.5 A
Duty cycle	30 %
Force of pressure	300 N
Tensile force	300 N
Nominal locking force	1100 N
Service life	> 10000 double strokes
OPEN running speed	7.1 mm/s
OPEN running speed - SHEV	8 mm/s
CLOSED running speed	7.1 mm/s
Type of protection	IP 65
Temperature range	-5 °C ... +75 °C
Fire resistance	B300 (30 min/300 °C)
Rack and pinion	V2A
Housing	Aluminium / Polycarbonate
Colour	Silver (~ RAL 9006)
Connection	2.5 m silicone-cable

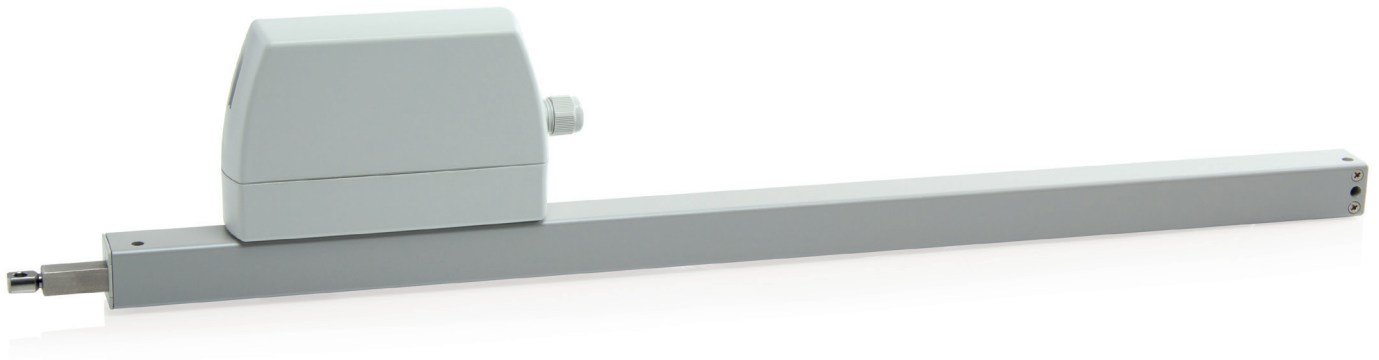
Dimensions



Design

Type	Art. No.	Stroke	Dimension A	Weight	Remark
ZA 35/350	27.005.05	350 mm	512 mm	1.72 kg	
ZA 35/500	27.005.10	500 mm	662 mm	1.95 kg	
ZA 35/600	27.005.15	600 mm	762 mm	2.10 kg	
ZA 35/800	27.005.20	800 mm	962 mm	2.40 kg	Without holes on bottom, only for topside mounting
ZA-PLP	27.005.00				Variable equipment possible

ZA 85 drive



G 500001



B 08 11 22802 026



Find out about permission details from your D+H Partner

Performance features

- » Can be used for openings for smoke exhaust; D+H Euro SHEV in accordance with EN 12101-2; and for daily ventilation
- » With motor electronics controlled via microprocessor
- » Low current consumption thanks to high efficiency
- » Option of cable infeed above and below
- » Drive unit can be changed from left to right
- » Programmable drive functions and different drive parameters
- » Running speed in CLOSED direction decreases to 5 mm/s (passive closing edge protection)
- » Time-controlled reversing when an obstacle is detected in the CLOSED direction (active closing edge protection)

Accessories

Brackets



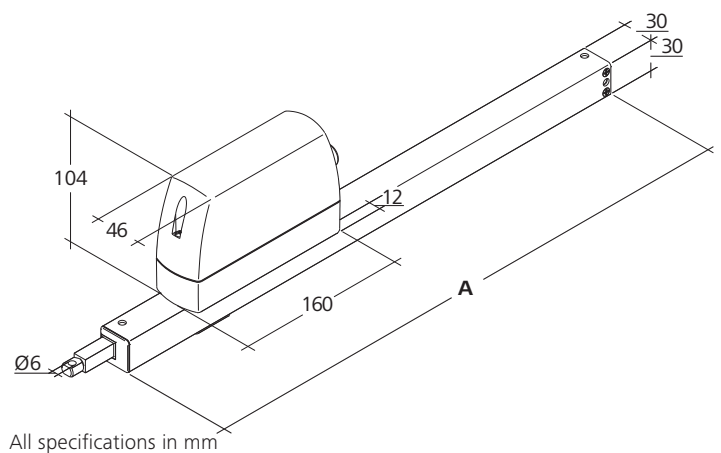
Cables



Technical data

Supply	24 V DC / $\pm 15\%$ / 1 A
Duty cycle	30 %
Force of pressure	800 N
Tensile force	800 N
Nominal locking force	1100 N
Service life	> 10000 double strokes
OPEN running speed	7.1 mm/s
OPEN running speed - SHEV	8 mm/s
CLOSED running speed	7.1 mm/s
Type of protection	IP 65
Temperature range	-5 °C ... +75 °C
Fire resistance	B300 (30 min/300 °C)
Rack and pinion	V2A
Housing	Aluminium / Polycarbonate
Colour	Silver (~ RAL 9006)
Connection	2.5 m silicone-cable

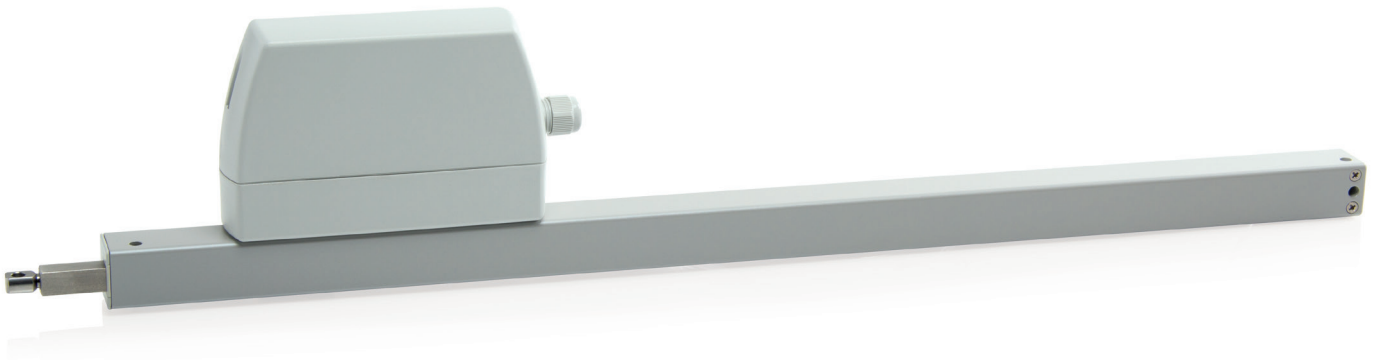
Dimensions



Design

Type	Art. No.	Stroke	Dimension A	Weight	Remark
ZA 85/350	27.005.30	350 mm	512 mm	1.72 kg	
ZA 85/500	27.005.35	500 mm	662 mm	1.95 kg	
ZA 85/600	27.005.40	600 mm	762 mm	2.10 kg	
ZA 85/800	27.005.45	800 mm	962 mm	2.40 kg	Without holes on bottom, only for topside mounting
ZA 85/1000	27.005.50	1000 mm	1162 mm	2.70 kg	Without holes on bottom, only for topside mounting
ZA-PLP	27.005.00				Variable equipment possible

ZA 105 drive



G 500001



B 08 11 22802 026



Find out about permission details from your D+H Partner

Performance features

- » Can be used for openings for smoke exhaust; D+H Euro SHEV in accordance with EN 12101-2; and for daily ventilation
- » With motor electronics controlled via microprocessor
- » Low current consumption thanks to high efficiency
- » Option of cable infeed above and below
- » Drive unit can be changed from left to right
- » Programmable drive functions and different drive parameters
- » Running speed in CLOSED direction decreases to 5 mm/s (passive closing edge protection)
- » Time-controlled reversing when an obstacle is detected in the CLOSED direction (active closing edge protection)

Accessories

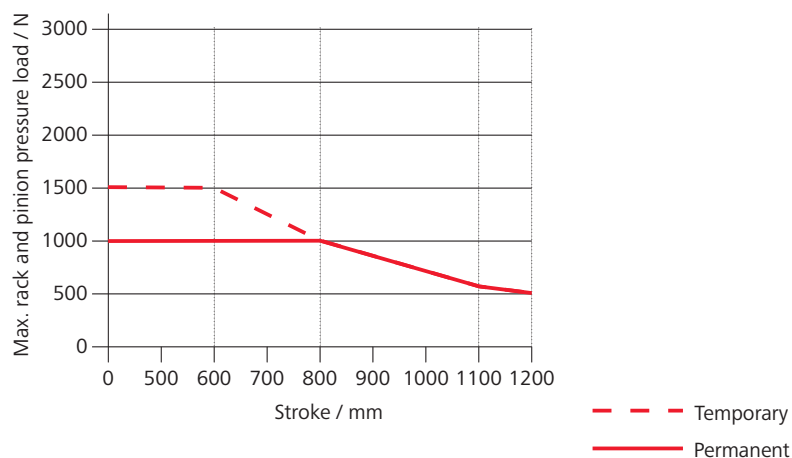
Brackets



Cables



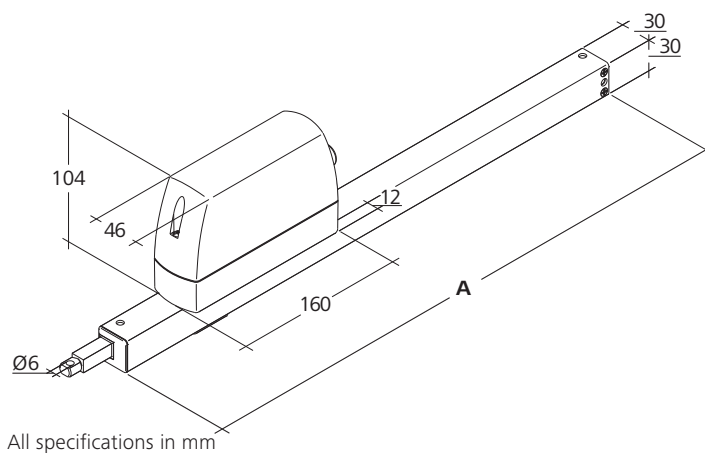
Pressure load diagram



Technical data

Supply	24 V DC / ± 15 % / 1.2 A
Duty cycle	30 %
Force of pressure	1000 N
Tensile force	1000 N
Nominal locking force	1100 N
Service life	> 10000 double strokes
OPEN running speed	7.1 mm/s
OPEN running speed - SHEV	8 mm/s
CLOSED running speed	7.1 mm/s
Type of protection	IP 65
Temperature range	-5 °C ... +75 °C
Fire resistance	B300 (30 min/300 °C)
Rack and pinion	V2A
Housing	Aluminium / Polycarbonate
Colour	Silver (~ RAL 9006)
Connection	2.5 m silicone-cable

Dimensions



Design

Type	Art. No.	Stroke	Dimension A	Weight	Remark
ZA 105/500	27.005.60	500 mm	662 mm	1.95 kg	
ZA 105/600	27.005.65	600 mm	762 mm	2.10 kg	
ZA 105/800	27.005.70	800 mm	962 mm	2.40 kg	Without holes on bottom, only for topside mounting
ZA 105/1000	27.005.75	1000 mm	1162 mm	2.70 kg	Without holes on bottom, only for topside mounting
ZA-PLP	27.005.00				Variable equipment possible

ZA 155 drive



G 500001



B 08 11 22802 026



Find out about permission details from your D+H Partner

Performance features

- » Can be used for openings for smoke exhaust; D+H Euro SHEV in accordance with EN 12101-2; and for daily ventilation
- » With motor electronics controlled via microprocessor
- » Low current consumption thanks to high efficiency
- » Option of cable infeed above and below
- » Drive unit can be changed from left to right
- » Programmable drive functions and different drive parameters
- » Running speed in CLOSED direction decreases to 5 mm/s (passive closing edge protection)
- » Time-controlled reversing when an obstacle is detected in the CLOSED direction (active closing edge protection)

Accessories

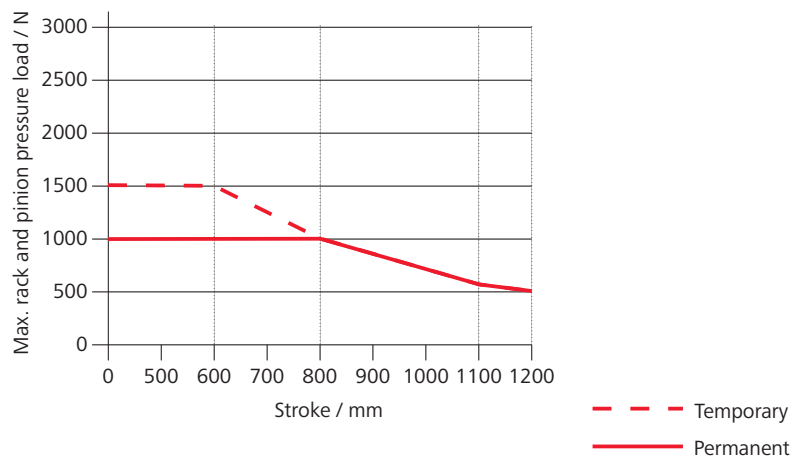
Brackets



Cables



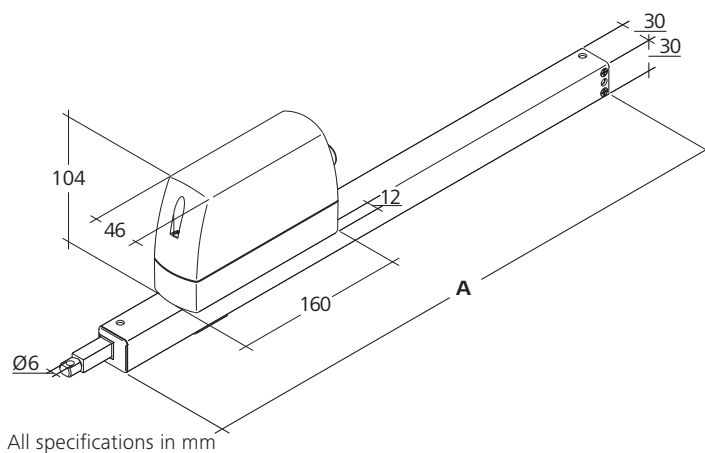
Pressure load diagram



Technical data

Supply	24 V DC / $\pm 15\%$ / 1.4 A
Duty cycle	30 %
Force of pressure	1500 N
Tensile force	1000 N
Nominal locking force	1100 N
Stroke	500 mm
Service life	> 10000 double strokes
OPEN running speed	7.1 mm/s
OPEN running speed - SHEV	8 mm/s
CLOSED running speed	7.1 mm/s
Type of protection	IP 65
Temperature range	-5 °C ... +75 °C
Fire resistance	B300 (30 min/300 °C)
Rack and pinion	V2A
Housing	Aluminium / Polycarbonate
Colour	Silver (~ RAL 9006)
Connection	2.5 m silicone-cable
Weight	1.95 kg

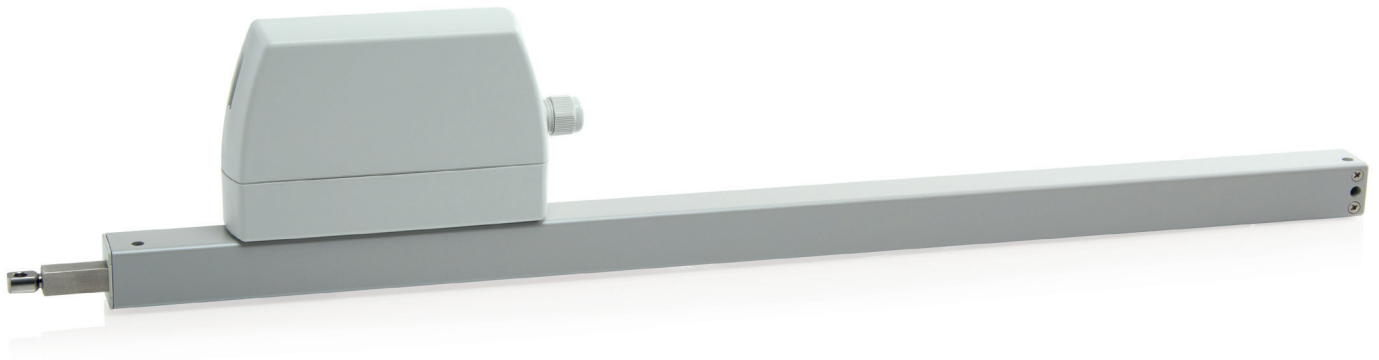
Dimensions



Design

Type	Art. No.	Dimension A	Remark
ZA 155/500	27.005.90	662 mm	
ZA-PLP	27.005.00		Variable equipment possible

ZA 85-HS drive



G 500001



B 08 11 22802 026



Find out about permission details from your D+H Partner

Performance features

- » Can be used for openings for smoke exhaust; D+H Euro SHEV in accordance with EN 12101-2; and for daily ventilation
- » With motor electronics controlled via microprocessor
- » High-speed function (HS) for especially fast opening windows in case of fire (SHEV)
- » Low current consumption thanks to high efficiency
- » Option of cable infeed above and below
- » Drive unit can be changed from left to right
- » Programmable drive functions and different drive parameters
- » Running speed in CLOSED direction decreases to 5 mm/s (passive closing edge protection)
- » Time-controlled reversing when an obstacle is detected in the CLOSED direction (active closing edge protection)

Accessories

Brackets



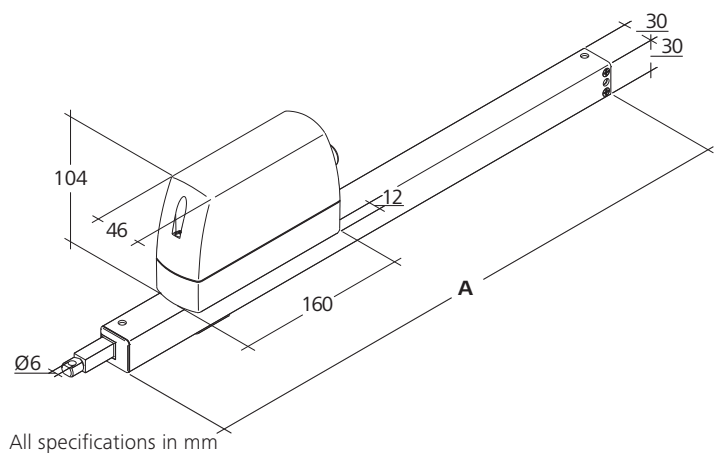
Cables



Technical data

Supply	24 V DC / $\pm 15\%$ / 2 A
Duty cycle	30 %
Force of pressure	800 N
Tensile force	800 N
Nominal locking force	1100 N
Service life	> 10000 double strokes
OPEN running speed	7.1 mm/s
OPEN running speed-HS	17 mm/s
CLOSED running speed	7.1 mm/s
Type of protection	IP 65
Temperature range	-5 °C ... +75 °C
Fire resistance	B300 (30 min/300 °C)
Rack and pinion	V2A
Housing	Aluminium / Polycarbonate
Colour	Silver (~ RAL 9006)
Connection	2.5 m silicone-cable

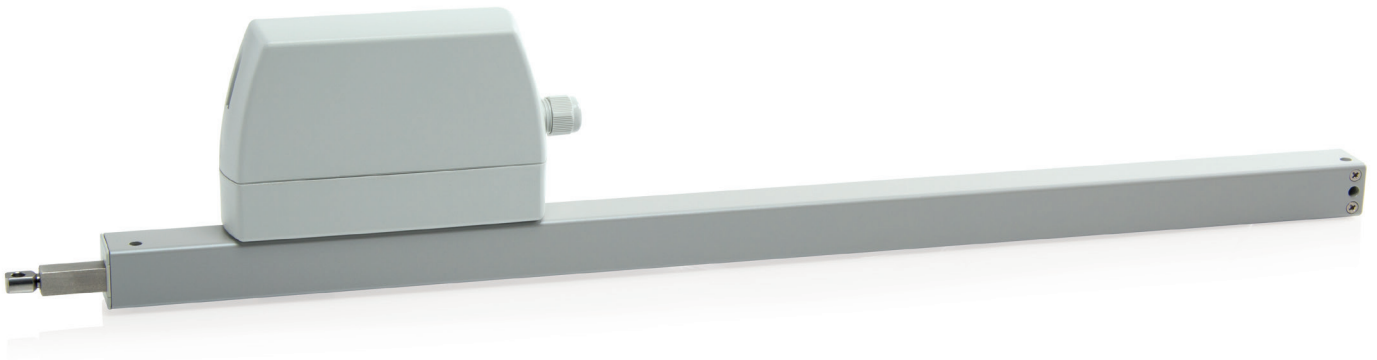
Dimensions



Design

Type	Art. No.	Stroke	Dimension A	Weight	Remark
ZA 85/600-HS	27.006.05	600 mm	762 mm	2.10 kg	
ZA 85/800-HS	27.006.10	800 mm	962 mm	2.40 kg	Without holes on bottom, only for topside mounting
ZA 85/1000-HS	27.006.15	1000 mm	1162 mm	2.70 kg	Without holes on bottom, only for topside mounting
ZA-PLP	27.005.00				Variable equipment possible

ZA 105-HS drive



G 500001



B 08 11 22802 026



Find out about permission details from your D+H Partner

Performance features

- » Can be used for openings for smoke exhaust; D+H Euro SHEV in accordance with EN 12101-2; and for daily ventilation
- » With motor electronics controlled via microprocessor
- » High-speed function (HS) for especially fast opening windows in case of fire (SHEV)
- » Low current consumption thanks to high efficiency
- » Option of cable infeed above and below
- » Drive unit can be changed from left to right
- » Programmable drive functions and different drive parameters
- » Running speed in CLOSED direction decreases to 5 mm/s (passive closing edge protection)
- » Time-controlled reversing when an obstacle is detected in the CLOSED direction (active closing edge protection)

Accessories

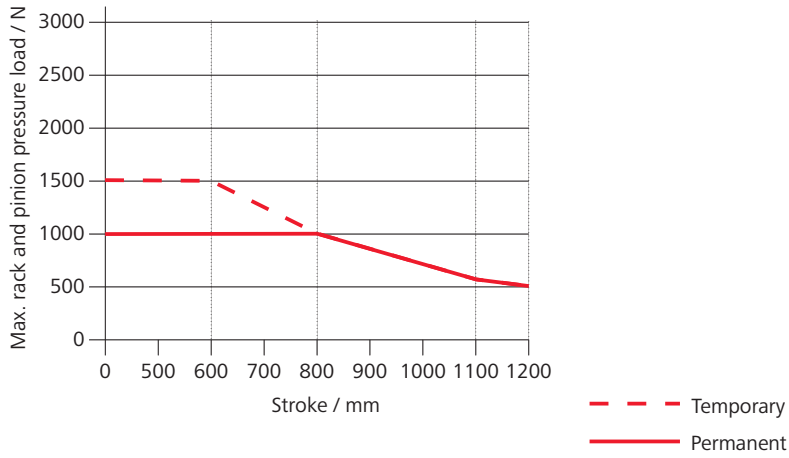
Brackets



Cables



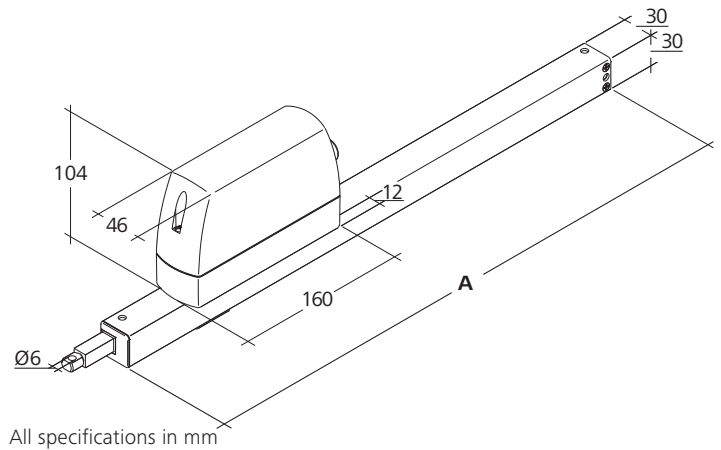
Pressure load diagram



Technical data

Supply	24 V DC / ± 15 % / 2.2 A
Duty cycle	30 %
Force of pressure	1000 N
Tensile force	1000 N
Nominal locking force	1100 N
Service life	> 10000 double strokes
OPEN running speed	7.1 mm/s
OPEN running speed-HS	17 mm/s
CLOSED running speed	7.1 mm/s
Type of protection	IP 65
Temperature range	-5 °C ... +75 °C
Fire resistance	B300 (30 min/300 °C)
Rack and pinion	V2A
Housing	Aluminium / Polycarbonate
Colour	Silver (~ RAL 9006)
Connection	2.5 m silicone-cable

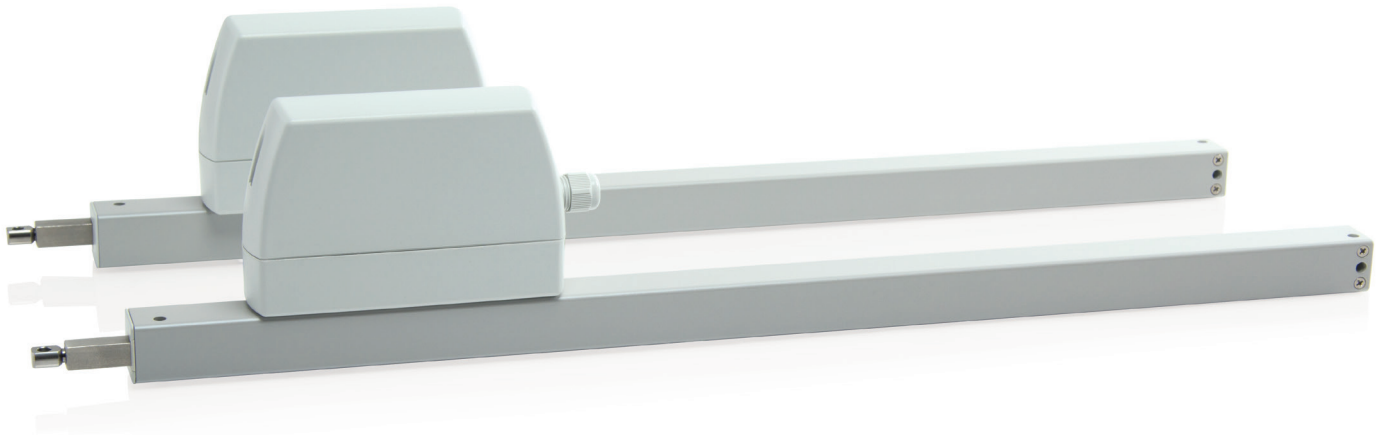
Dimensions



Design

Type	Art. No.	Stroke	Dimension A	Weight	Remark
ZA 105/600-HS	27.006.30	600 mm	762 mm	2.10 kg	Without holes on bottom, only for topside mounting
ZA 105/800-HS	27.006.35	800 mm	962 mm	2.40 kg	Without holes on bottom, only for topside mounting
ZA-PLP	27.005.00				Variable equipment possible

ZA 85-BSY+ Set drive



G 500001



B 08 11 22802 026



Find out about permission details from your D+H Partner

Performance features

- » Can be used for openings for smoke exhaust; D+H Euro SHEV in accordance with EN 12101-2; and for daily ventilation
- » With integrated BSY+ motor and synchronised electronics controlled via microprocessor
- » Option of up to 8 drives in one synchronous group
- » Option of cable infeed above and below
- » Drive unit can be changed from left to right
- » Programmable drive functions and different drive parameters
- » Running speed in CLOSED direction decreases to 5 mm/s (passive closing edge protection)
- » Time-controlled reversing when an obstacle is detected in the CLOSED direction (active closing edge protection)

Accessories

Brackets



Cables

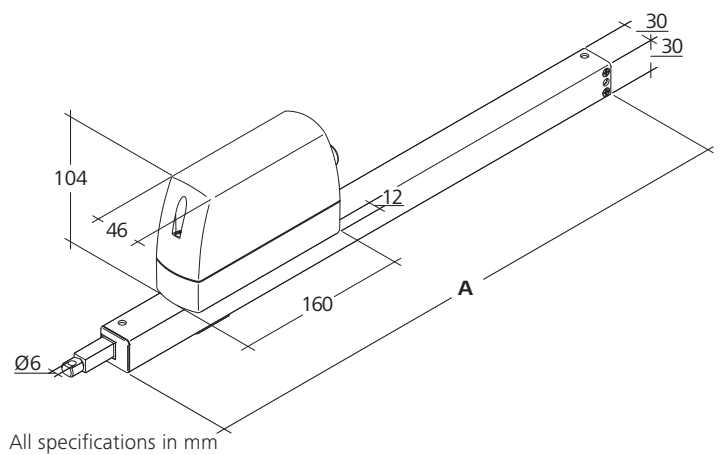


Technical data *

Supply	24 V DC / $\pm 15\%$ / 1 A
Duty cycle	30 %
Force of pressure	800 N
Tensile force	800 N
Nominal locking force	1100 N
Service life	> 10000 double strokes
OPEN running speed	7.1 mm/s
OPEN running speed - SHEV	8 mm/s
CLOSED running speed	7.1 mm/s
Type of protection	IP 65
Temperature range	-5 °C ... +75 °C
Fire resistance	B300 (30 min/300 °C)
Rack and pinion	V2A
Housing	Aluminium / Polycarbonate
Colour	Silver (~ RAL 9006)
Connection	2.5 m silicone-cable

*Specification per drive

Dimensions

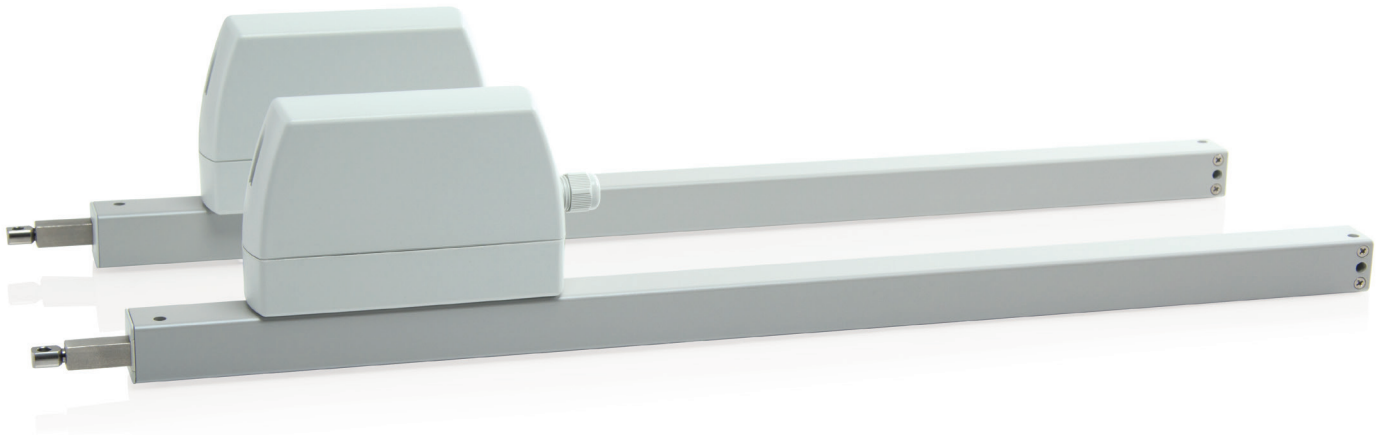


Design

Type	Art. No.	Stroke	Dimension A	Weight	Remark
ZA 85/500-BSY+ Set	27.000.06	500 mm	662 mm	1.95 kg	
ZA 85/600-BSY+ Set	27.000.11	600 mm	762 mm	2.10 kg	
ZA 85/800-BSY+ Set	27.000.16	800 mm	962 mm	2.40 kg	
ZA 85/1000-BSY+ Set	27.000.21	1000 mm	1162 mm	2.70 kg	
ZA-BSY+	27.000.01				Variable equipment possible

Weight per drive

ZA 85-BSY+ HS Set drive



G 500001



B 08 11 22802 026



Find out about permission details from your D+H Partner

Performance features

- » Can be used for openings for smoke exhaust; D+H Euro SHEV in accordance with EN 12101-2; and for daily ventilation
- » With integrated BSY+ motor and synchronised electronics controlled via microprocessor
- » High-speed function (HS) for especially fast opening windows in case of fire (SHEV)
- » Option of up to 8 drives in one synchronous group
- » Option of cable infeed above and below
- » Drive unit can be changed from left to right
- » Programmable drive functions and different drive parameters
- » Running speed in CLOSED direction decreases to 5 mm/s (passive closing edge protection)
- » Time-controlled reversing when an obstacle is detected in the CLOSED direction (active closing edge protection)

Accessories

Brackets



Cables

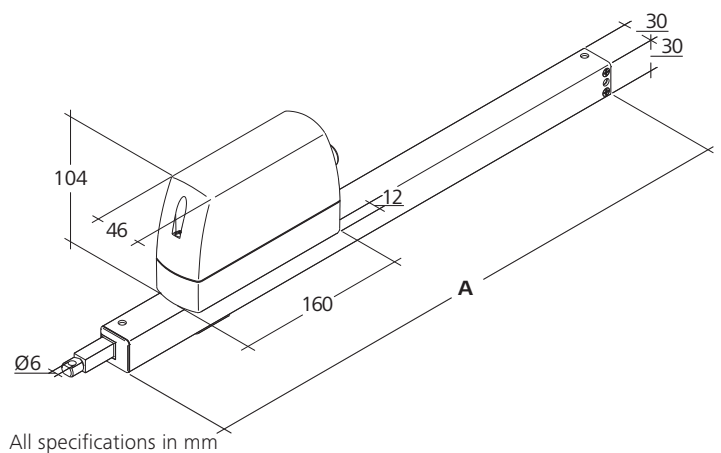


Technical data *

Supply	24 V DC / $\pm 15\%$ / 2 A
Duty cycle	30 %
Force of pressure	800 N
Tensile force	800 N
Nominal locking force	1100 N
Service life	> 10000 double strokes
OPEN running speed	7.1 mm/s
OPEN running speed-HS	17 mm/s
CLOSED running speed	7.1 mm/s
Type of protection	IP 65
Temperature range	-5 °C ... +75 °C
Fire resistance	B300 (30 min/300 °C)
Rack and pinion	V2A
Housing	Aluminium / Polycarbonate
Colour	Silver (~ RAL 9006)
Connection	2.5 m silicone-cable

*Specification per drive

Dimensions

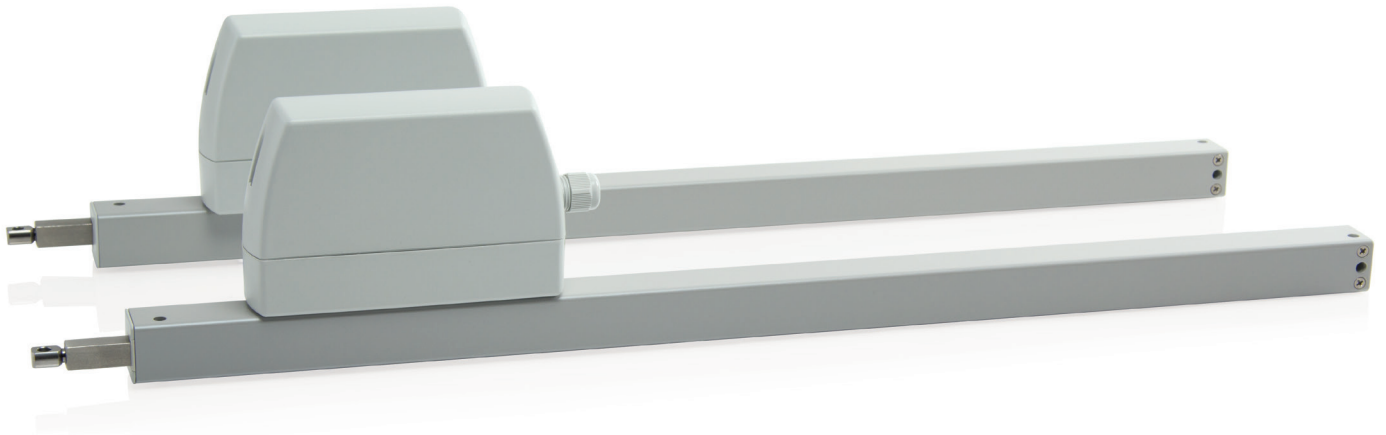


Design

Type	Art. No.	Stroke	Dimension A	Weight	Remark
ZA 85/600-BSY+ HS Set	27.001.07	600 mm	762 mm	2.10 kg	
ZA 85/800-BSY+ HS Set	27.001.12	800 mm	962 mm	2.40 kg	
ZA 85/1000-BSY+ HS Set	27.001.17	1000 mm	1162 mm	2.70 kg	
ZA-BSY+	27.000.01				Variable equipment possible

Weight per drive

ZA 105-BSY+ HS Set drive



G 500001



B 08 11 22802 026



Find out about permission details from your D+H Partner

Performance features

- » Can be used for openings for smoke exhaust; D+H Euro SHEV in accordance with EN 12101-2; and for daily ventilation
- » With integrated BSY+ motor and synchronised electronics controlled via microprocessor
- » High-speed function (HS) for especially fast opening windows in case of fire (SHEV)
- » Option of up to 8 drives in one synchronous group
- » Option of cable infeed above and below
- » Drive unit can be changed from left to right
- » Programmable drive functions and different drive parameters
- » Running speed in CLOSED direction decreases to 5 mm/s (passive closing edge protection)
- » Time-controlled reversing when an obstacle is detected in the CLOSED direction (active closing edge protection)

Accessories

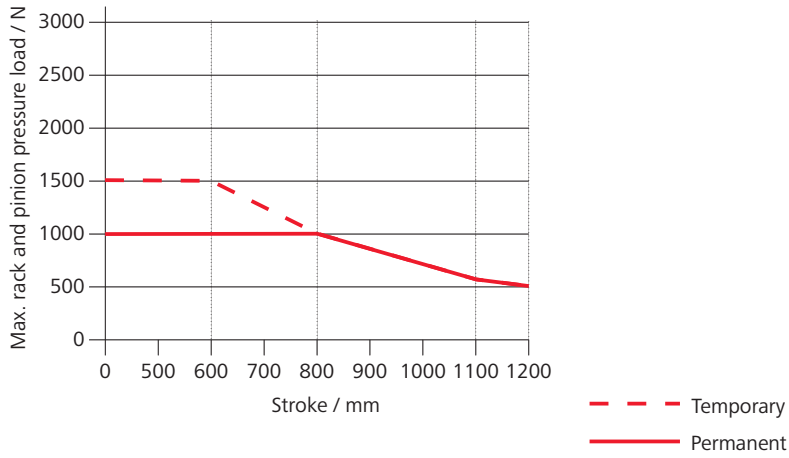
Brackets



Cables



Pressure load diagram

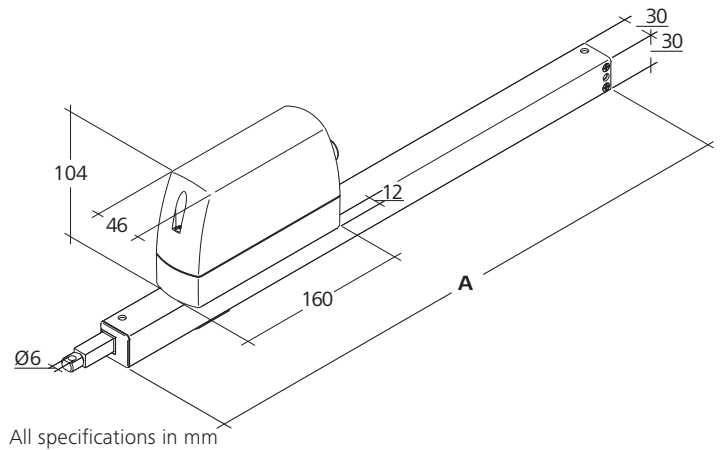


Technical data *

Supply	24 V DC / ± 15 % / 2.2 A
Duty cycle	30 %
Force of pressure	1000 N
Tensile force	1000 N
Nominal locking force	1100 N
Service life	> 10000 double strokes
OPEN running speed	7.1 mm/s
OPEN running speed-HS	17 mm/s
CLOSED running speed	7.1 mm/s
Type of protection	IP 65
Temperature range	-5 °C ... +75 °C
Fire resistance	B300 (30 min/300 °C)
Rack and pinion	V2A
Housing	Aluminium / Polycarbonate
Colour	Silver (~ RAL 9006)
Connection	2.5 m silicone-cable

*Specification per drive

Dimensions

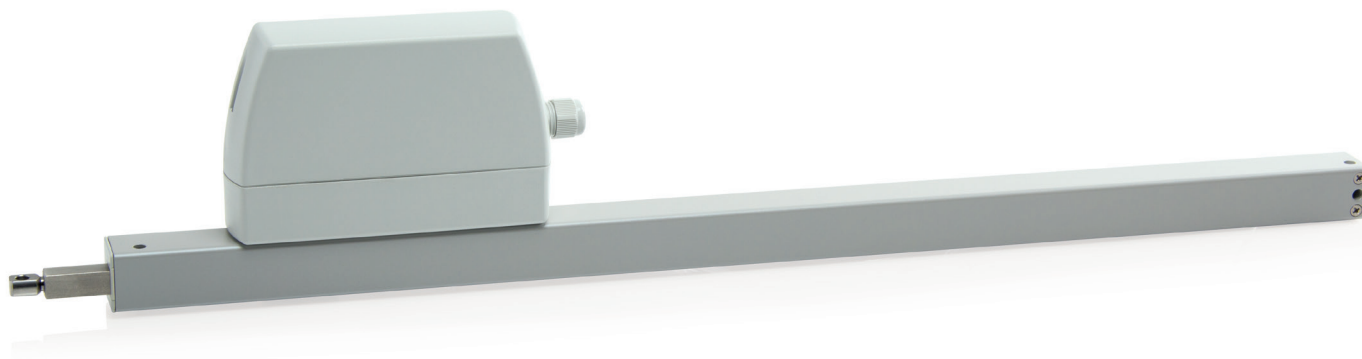


Design

Type	Art. No.	Stroke	Dimension A	Weight	Remark
ZA 105/600-BSY+ HS Set	27.002.07	600 mm	762 mm	2.10 kg	
ZA 105/800-BSY+ HS Set	27.002.12	800 mm	962 mm	2.40 kg	
ZA 105/1000-BSY+ HS Set	27.002.17	1000 mm	1162 mm	2.50 kg	
ZA-BSY+	27.000.01				Variable equipment possible

Weight per drive

ZA 105-K drive



Performance features

- » Can be used for openings for smoke exhaust; D+H Euro SHEV in accordance with EN 12101-2; and for daily ventilation
- » Direct control via 230 V AC
- » Low current consumption thanks to high efficiency
- » Option of cable infeed above and below
- » Drive unit can be changed from left to right
- » Running speed in CLOSED direction decreases to 5 mm/s (passive closing edge protection)
- » Time-controlled reversing when an obstacle is detected in the CLOSED direction (active closing edge protection)

Accessories

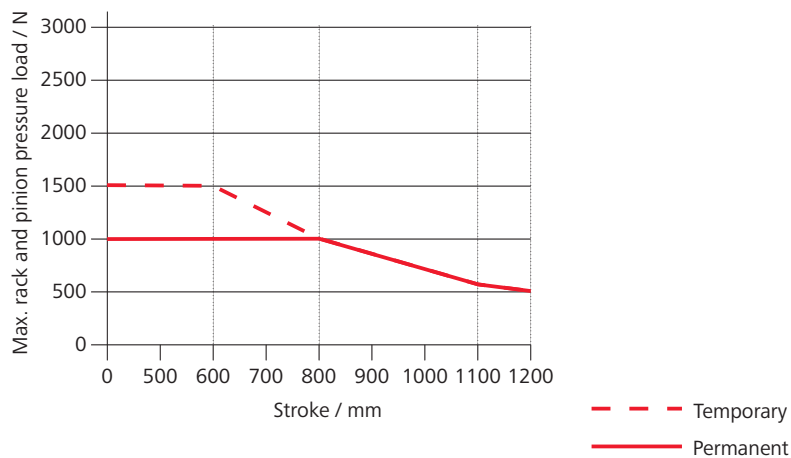
Brackets



Cables



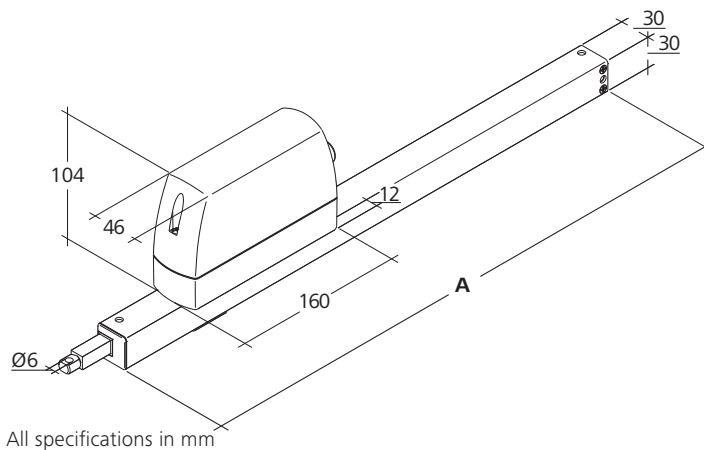
Pressure load diagram



Technical data

Supply	230 V AC / ± 10 % / 50 Hz
Performance	27 W / 30 VA
Duty cycle	30 %
Force of pressure	1000 N
Tensile force	1000 N
Nominal locking force	1100 N
Service life	> 10000 double strokes
OPEN running speed	10 mm/s
CLOSED running speed	10 mm/s
Type of protection	IP 65
Temperature range	-5 °C ... +75 °C
Rack and pinion	V2A
Housing	Aluminium / Polycarbonate
Colour	Silver (~ RAL 9006)
Connection	2.5 m silicone-cable

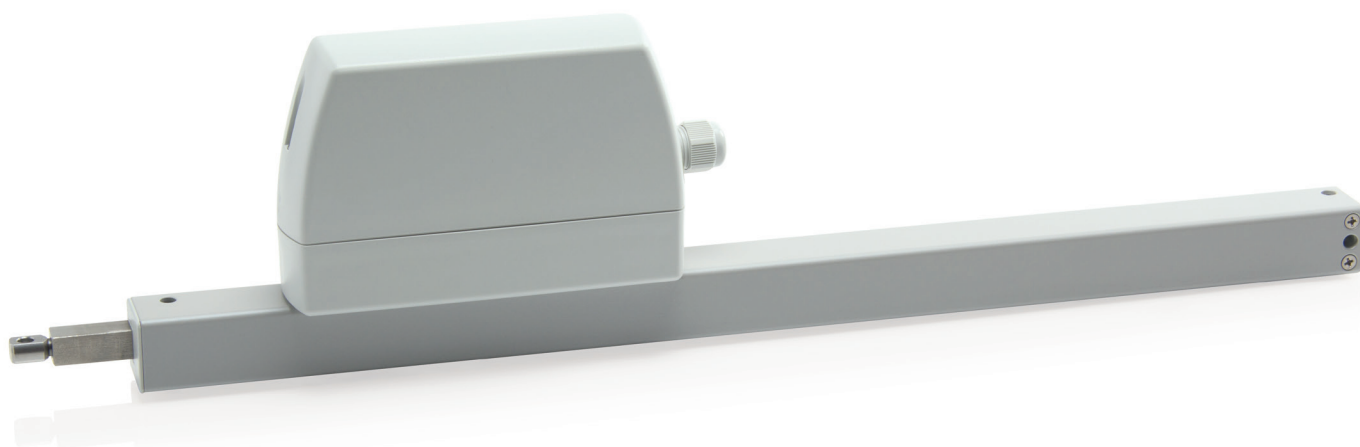
Dimensions



Design

Type	Art. No.	Stroke	Dimension A	Weight	Remark
ZA 105/350-K	27.007.05	350 mm	512 mm	1.72 kg	
ZA 105/500-K	27.007.10	500 mm	662 mm	1.95 kg	
ZA 105/800-K	27.007.15	800 mm	962 mm	2.40 kg	
ZA 105/1000-K	27.007.20	1000 mm	1162 mm	2.70 kg	
ZA-K	27.007.02				Variable equipment possible

ZA 35-K-BSY+ drive



Performance features

- » Can be used for openings for smoke exhaust; D+H Euro SHEV in accordance with EN 12101-2; and for daily ventilation
- » With integrated BSY+ motor and synchronised electronics controlled via microprocessor
- » Direct control via 230 V AC
- » Option of up to 4 drives in one synchronous group
- » Low current consumption thanks to high efficiency
- » Option of cable infeed above and below
- » Drive unit can be changed from left to right
- » Running speed in CLOSED direction decreases to 5 mm/s (passive closing edge protection)
- » Time-controlled reversing when an obstacle is detected in the CLOSED direction (active closing edge protection)

Accessories

Brackets



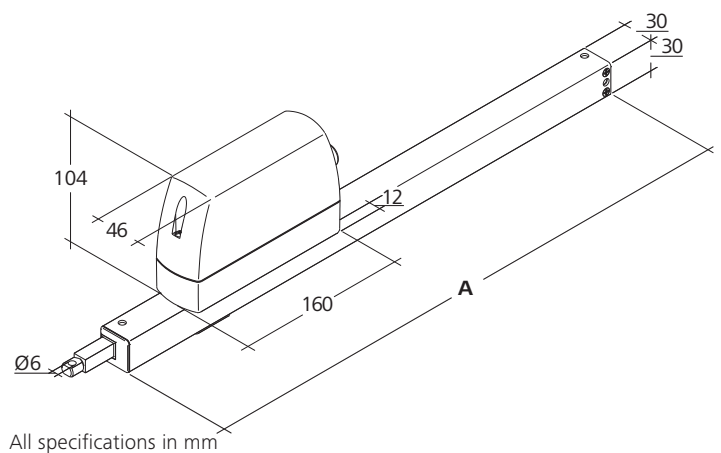
Cables



Technical data

Supply	230 V AC / $\pm 10\%$ / 50 Hz
Performance	20 W / 30 VA
Duty cycle	30 %
Force of pressure	300 N
Tensile force	300 N
Nominal locking force	1100 N
Service life	> 10000 double strokes
OPEN running speed	7.1 mm/s
OPEN running speed - SHEV	8 mm/s
CLOSED running speed	7.1 mm/s
Type of protection	IP 65
Temperature range	-5 °C ... +75 °C
Fire resistance	B300 (30 min/300 °C)
Rack and pinion	V2A
Housing	Aluminium / Polycarbonate
Colour	Silver (~ RAL 9006)
Connection	2.5 m silicone-cable

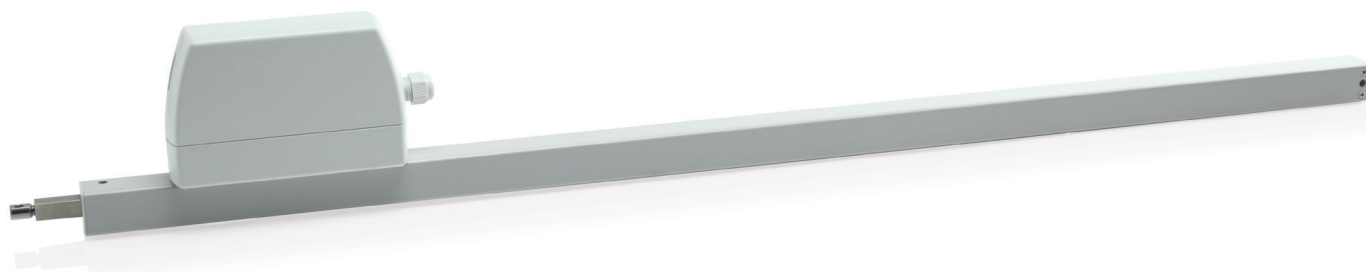
Dimensions



Design

Type	Art. No.	Stroke	Dimension A	Weight	Remark
ZA 35/350-K-BSY+	27.007.50	350 mm	512 mm	1.72 kg	
ZA-K-BSY+	27.007.01				Variable equipment possible

ZA 105-K-BSY+ drive



Performance features

- » Can be used for openings for smoke exhaust; D+H Euro SHEV in accordance with EN 12101-2; and for daily ventilation
- » With integrated BSY+ motor and synchronised electronics controlled via microprocessor
- » Direct control via 230 V AC
- » Option of up to 4 drives in one synchronous group
- » Low current consumption thanks to high efficiency
- » Option of cable infeed above and below
- » Drive unit can be changed from left to right
- » Running speed in CLOSED direction decreases to 5 mm/s (passive closing edge protection)
- » Time-controlled reversing when an obstacle is detected in the CLOSED direction (active closing edge protection)

Accessories

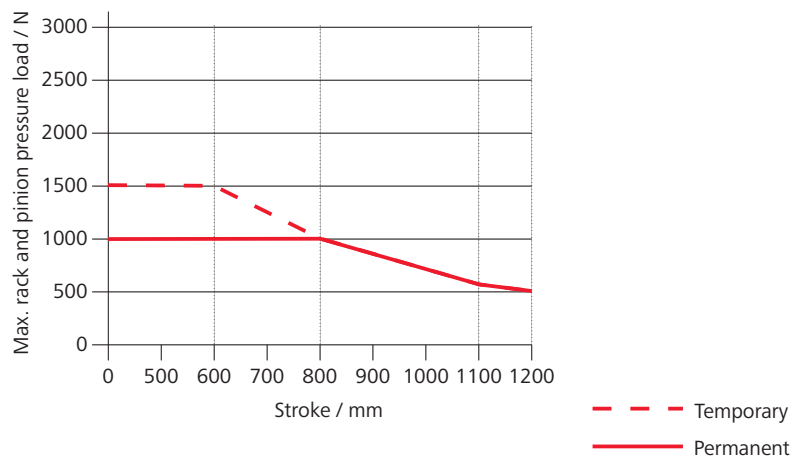
Brackets



Cables



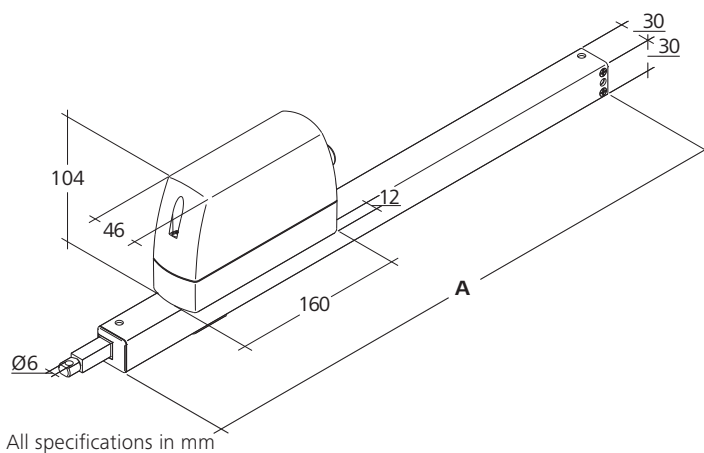
Pressure load diagram



Technical data

Supply	230 V AC / ± 10 % / 50 Hz
Performance	35 W / 55 VA
Duty cycle	30 %
Force of pressure	1000 N
Tensile force	1000 N
Nominal locking force	1100 N
Service life	> 10000 double strokes
OPEN running speed	7.1 mm/s
OPEN running speed - SHEV	8 mm/s
CLOSED running speed	7.1 mm/s
Type of protection	IP 65
Temperature range	-5 °C ... +75 °C
Fire resistance	B300 (30 min/300 °C)
Rack and pinion	V2A
Housing	Aluminium / Polycarbonate
Colour	Silver (~ RAL 9006)
Connection	2.5 m silicone-cable

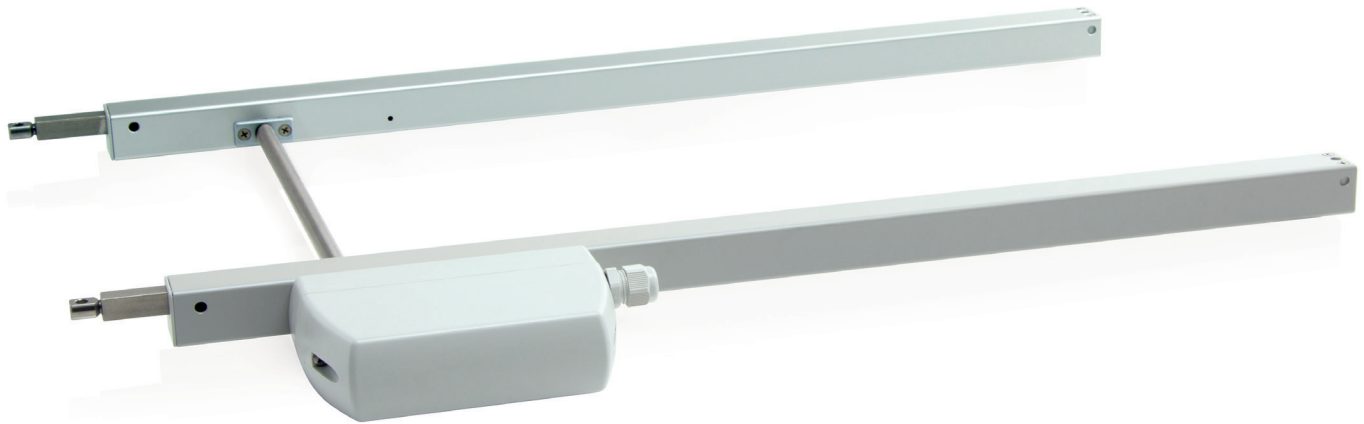
Dimensions



Design

Type	Art. No.	Stroke	Dimension A	Weight	Remark
ZA 105/350-K-BSY+	27.007.55	350 mm	512 mm	1.72 kg	
ZA 105/500-K-BSY+	27.007.60	500 mm	662 mm	1.95 kg	
ZA 105/600-K-BSY+	27.007.65	600 mm	762 mm	2.10 kg	
ZA 105/800-K-BSY+	27.007.70	800 mm	962 mm	2.40 kg	
ZA 105/1000-K-BSY+	27.007.75	1000 mm	1162 mm	2.70 kg	
ZA-K-BSY+	27.007.01				Variable equipment possible

ZA-TM drive



B 05 09 22802 026

Performance features

- » Can be used for openings for smoke exhaust; D+H Euro SHEV in accordance with EN 12101-2; and for daily ventilation
- » For mechanically connecting to tandem drives using a VA connecting shaft
- » Tandem version for heavy loads, can be combined with: ZA drive (ZA-TM), ZA slave unit (ZM) and connecting shaft (VW)
- » High-speed function (HS) for especially fast opening windows in case of fire (SHEV)
- » Uniform load distribution on window sashes
- » Drive unit can be changed from left to right

Accessories

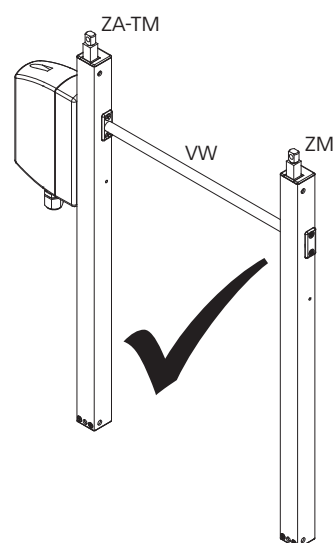
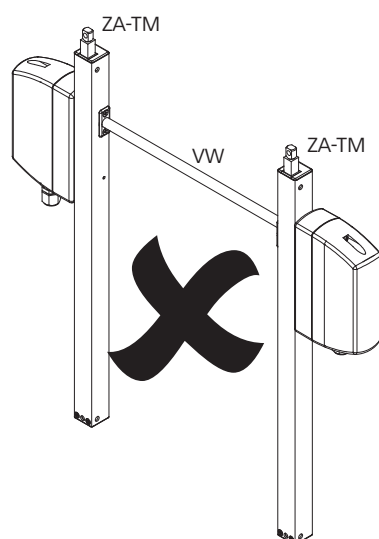
Brackets



Cables



Example of application



Usable drives

ZA-PLP

ZA-K

Order drive with "Option TM"

Design

Type	Art. No.	Stroke	Length	Diameter	Weight	Remark
ZM 500	20.005.00	500 mm			1.10 kg	
ZM 800	20.005.10	800 mm			1.60 kg	Only for topside mounting
ZM 1000	20.005.20	1000 mm			1.90 kg	Only for topside mounting
ZM	20.009.10					Variable equipment possible
VW 1018	20.030.00		1018 mm	12 mm	0.48 kg	
VW 1518	20.030.10		1518 mm	12 mm	0.71 kg	
VW 2000	20.030.20		2000 mm	12 mm	0.95 kg	
VW	20.030.21					Variable equipment possible

Bracket sets for ZA



ZA-BS003-SM

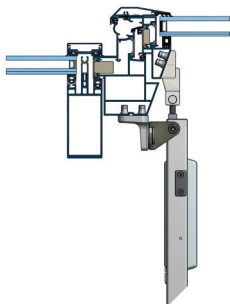
ZA-BS004-OM

ZA-BS043-SM

Performance features

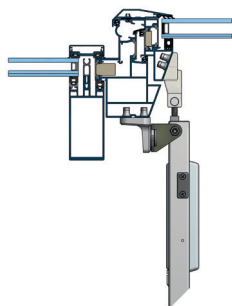
- » Optimal adaptation of bracket sets to the respective profile system
- » Solutions tested as complete systems for SHEV applications in accordance with EN 12101-2
- » All materials required fastening materials are included in the scope of supply of the bracket sets
- » Special colour as an option at the customer's request
- » Application drawings suitable for window and façade manufacturers available

Roof windows, outward-opening, installation opposite the hinge



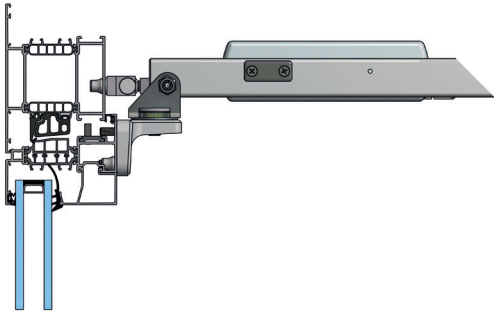
Profile manufacturer	Profile series	Art. No.	Bracket set	Weight	Remark
Aluprof®	MB-RW	27.BDK.KS	ZA-BS044-OM	0.69 kg	
Aluprof®	MB-SR50	27.BCW.KS	ZA-BS034-OM	0.61 kg	
Colt®	Kameleon E	27.BCB.KS	ZA-BS023-OM	0.49 kg	
Gutmann®	S70	27.BAH.KS	ZA-BS004-OM	0.77 kg	
Heroal®	180	27.BAM.KS	ZA-BS006-OM	0.70 kg	
Heroal®	180ES	27.BDH.KS	ZA-BS040-OM	0.70 kg	
Hueck®	1.0 (519510)	27.BBS.KS	ZA-BS018-OM	0.55 kg	
Hueck®	1.0 (519511)	27.BBV.KS	ZA-BS019-OM	0.55 kg	
Hueck®	85E	27.BBG.KS	ZA-BS014-OM	0.75 kg	
Jet-Brakel®	Ventria TG	27.BAR.KS	ZA-BS008-OM	0.50 kg	
Raico®	WING 105DI	27.BDA.KS	ZA-BS042-OM	0.69 kg	
Reynaers®	CR 120	27.BBZ.KS	ZA-BS021-OM	0.32 kg	
Reynaers®	Flush Roof Vent	27.BDE.KS	ZA-BS037-OM	0.77 kg	
SAPA®	SFB 5050	27.BBP.KS	ZA-BS016-OM	0.80 kg	
SAPA®	SFB 5060	27.BBP.KS	ZA-BS016-OM	0.80 kg	
Schüco®	AWS 57 RO (331 810)	27.BCR.KS	ZA-BS030-OM	0.68 kg	
Schüco®	AWS 57 RO (331 820)	27.BCR.KS	ZA-BS030-OM	0.68 kg	
Schüco®	AWS 57 RO (369 770)	27.BCM.KS	ZA-BS028-OM	0.67 kg	
Schüco®	AWS 57 RO (369 780)	27.BCM.KS	ZA-BS028-OM	0.67 kg	
Schüco®	Royal S 106D	27.BBE.KS	ZA-BS012-OM	0.70 kg	
Schüco®	Royal S 88D	27.BBC.KS	ZA-BS010-OM	0.70 kg	
Technal®	MX	27.BCY.KS	ZA-BS036-OM	0.61 kg	
Wicona®	Wictec 50/60	27.BAF.KS	ZA-BS001-OM	0.69 kg	

Roof windows, outward-opening, side installation



Profile manufacturer	Profile series	Art. No.	Bracket set	Weight	Remark
Aluprof®	MB-RW	27.BDL.KS	ZA-BS045-SM	0.68 kg	
Aluprof®	MB-SR50	27.BCV.KS	ZA-BS033-SM	0.61 kg	
Colt®	Kameleon E	27.BCA.KS	ZA-BS022-SM	0.61 kg	
Gutmann®	S70	27.BAG.KS	ZA-BS003-SM	0.76 kg	
Heroal®	180	27.BAK.KS	ZA-BS005-SM	0.80 kg	
Heroal®	180ES	27.BDJ.KS	ZA-BS041-SM	0.68 kg	
Hueck®	1.0 (519510)	27.BBR.KS	ZA-BS017-SM	0.65 kg	
Hueck®	1.0 (519511)	27.BBR.KS	ZA-BS017-SM	0.65 kg	
Hueck®	85E	27.BBF.KS	ZA-BS013-SM	0.80 kg	
Jet-Brakel®	Ventria TG	27.BAP.KS	ZA-BS007-SM	0.60 kg	
Raico®	WING 105DI	27.BCZ.KS	ZA-BS043-SM	0.68 kg	
Reynaers®	CR 120	27.BBY.KS	ZA-BS020-SM	0.64 kg	
Reynaers®	Flush Roof Vent	27.BDF.KS	ZA-BS038-SM	0.77 kg	
SAPA®	SFB 5050	27.BBN.KS	ZA-BS015-SM	0.95 kg	
SAPA®	SFB 5060	27.BBN.KS	ZA-BS015-SM	0.95 kg	
Schüco®	AWS 57 RO (331 810)	27.BCP.KS	ZA-BS031-SM	0.68 kg	
Schüco®	AWS 57 RO (331 820)	27.BCP.KS	ZA-BS031-SM	0.68 kg	
Schüco®	AWS 57 RO (369 770)	27.BCN.KS	ZA-BS029-SM	0.68 kg	
Schüco®	AWS 57 RO (369 780)	27.BCN.KS	ZA-BS029-SM	0.68 kg	
Schüco®	Royal S 106D	27.BBD.KS	ZA-BS011-SM	0.80 kg	
Schüco®	Royal S 88D	27.BAT.KS	ZA-BS009-SM	0.85 kg	
Technal®	MX	27.BCX.KS	ZA-BS035-SM	0.61 kg	
Wicona®	Wictec 50/60	27.BAE.KS	ZA-BS002-SM	0.68 kg	

Façade window (bottom-hung and top-hung windows), mounted installation

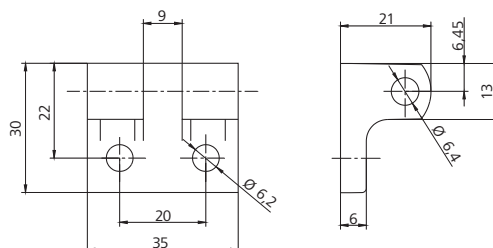
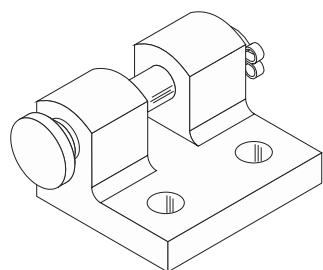


Profile manufacturer	Profile series	Art. No.	Bracket set	Weight	Remark
Reynaers®	CS 59	27.BCH.KS	ZA-BS027-OM	0.75 kg	
Reynaers®	CS 68	27.BCH.KS	ZA-BS027-OM	0.75 kg	
Reynaers®	CS 77	27.BCH.KS	ZA-BS027-OM	0.75 kg	
Reynaers®	CS 86-HI	27.BCH.KS	ZA-BS027-OM	0.75 kg	
Reynaers®	Eco	27.BCH.KS	ZA-BS027-OM	0.75 kg	

Sash bracket	Art. No.	Weight	Description
--------------	----------	--------	-------------

FK 20.050.80 0.07 kg

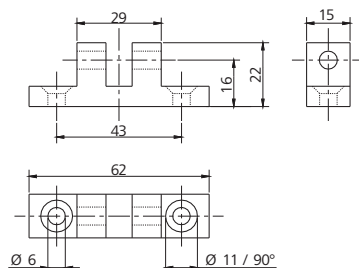
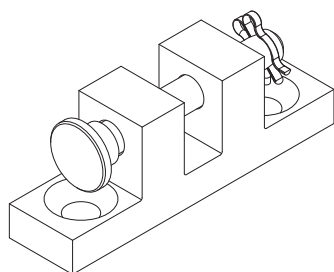
- » With releasable bolt
- » Die-cast zinc, polished



Sash bracket	Art. No.	Weight	Description
--------------	----------	--------	-------------

FK-D 20.052.20 0.10 kg

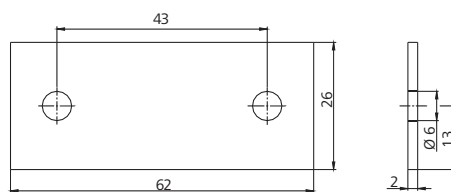
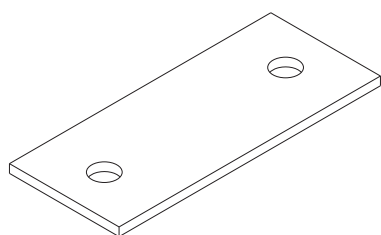
- » With releasable bolt
- » Aluminium, silver anodised



Cover sheet	Art. No.	Weight	Description
-------------	----------	--------	-------------

AD-FK 68.100.03 0.02 kg

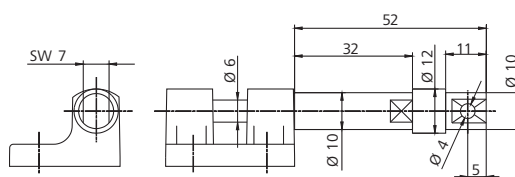
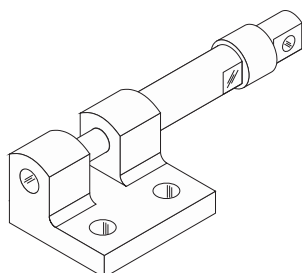
- » Cover sheet for FK-D
- » Aluminium, silver anodised



Sash bracket	Art. No.	Weight	Description
--------------	----------	--------	-------------

FKE 20.052.30 0.09 kg

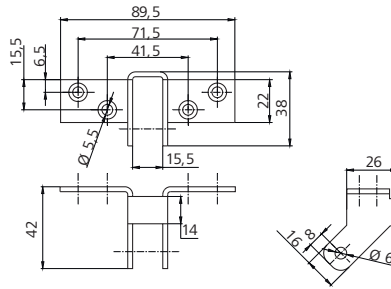
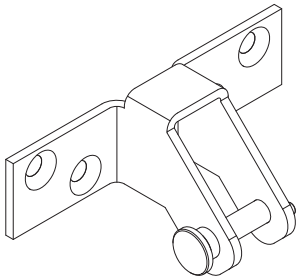
- » With spring-loaded release pin, e.g. for roof access trapdoor
- » Die-cast zinc, polished



Sash bracket	Art. No.	Weight	Description
--------------	----------	--------	-------------

FKK 20.052.40 0.15 kg

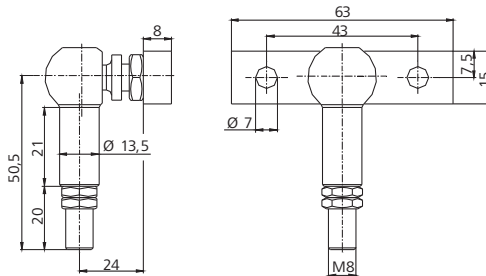
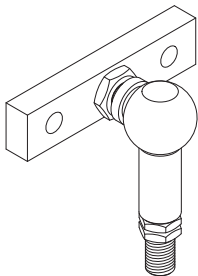
- » With releasable bolt
- » V2A, polished



Ball angle joint	Art. No.	Weight	Description
------------------	----------	--------	-------------

KWG 20.051.40 0.10 kg

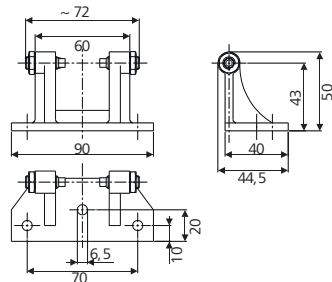
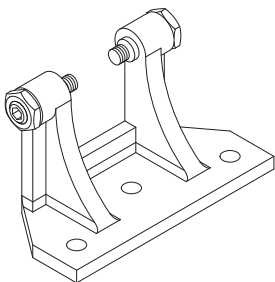
- » As eyebolt replacement (pull-out strength approx. 1500 N)
- » Aluminium/steel



Angle bracket	Art. No.	Weight	Description
---------------	----------	--------	-------------

WK 6 20.052.60 0.10 kg

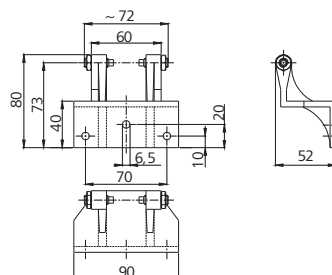
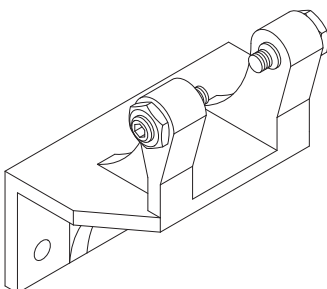
- » Bracket with 2 stud bolts and locknuts
- » Die-cast aluminium, polished



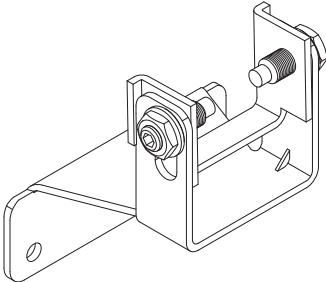
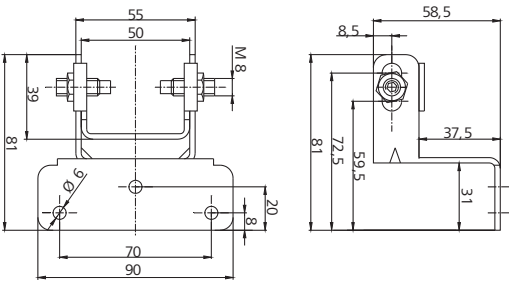
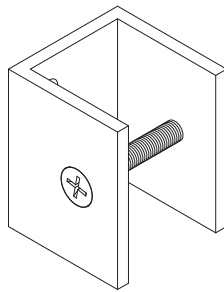
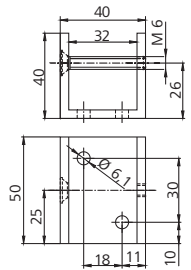
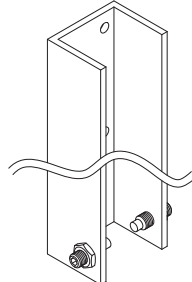
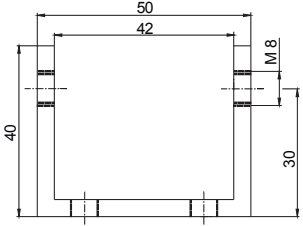
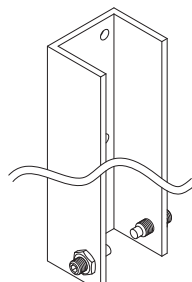
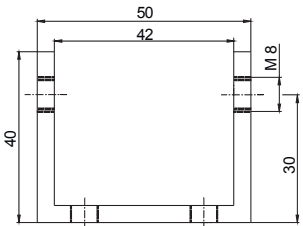
Z-bracket	Art. No.	Weight	Description
-----------	----------	--------	-------------

ZK 6 20.052.70 0.14 kg

- » Bracket with 2 stud bolts and locknuts
- » Die-cast aluminium, polished



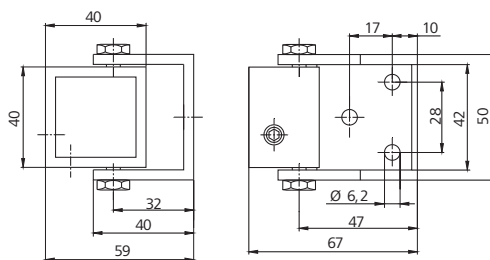
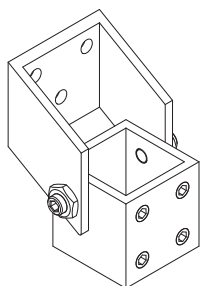
All specifications in mm

Z-bracket	Art. No.	Weight	Description
<p>ZKK</p>  	20.052.80	0.20 kg	<ul style="list-style-type: none"> » Adjustable bracket with 2 stud bolts and locknuts » V2A, polished
<p>U-bracket</p> <p>UK 50</p>  	20.050.00	0.06 kg	<ul style="list-style-type: none"> » Bracket with through bolt » Aluminium, silver anodised
<p>U-bracket</p> <p>UK 350</p>  	20.050.10	0.40 kg	<ul style="list-style-type: none"> » Bracket with 2 stud bolts and locknuts » Length 350 mm » Aluminium, silver anodised
<p>U-bracket</p> <p>UK 500</p>  	20.050.20	0.60 kg	<ul style="list-style-type: none"> » Bracket with 2 stud bolts and locknuts » Length 500 mm » Aluminium, silver anodised

Pivot point displacement bracket	Art. No.	Weight	Description
----------------------------------	----------	--------	-------------

DPK 6 20.052.00 0.14 kg

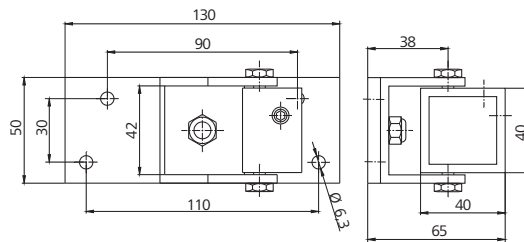
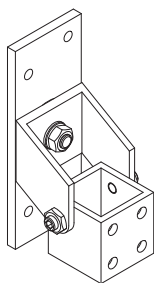
- » Bracket with terminal part, 2 stud bolts and locknuts
- » Aluminium, silver anodised



Pivot point displacement bracket	Art. No.	Weight	Description
----------------------------------	----------	--------	-------------

DPK 8 20.051.50 0.20 kg

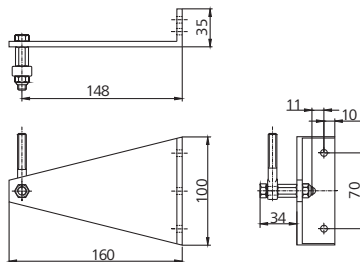
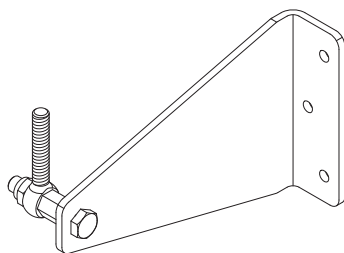
- » Pivoting bracket with mounting plate, terminal part, 2 stud bolts and locknuts
- » Aluminium, silver anodised



Side bracket	Art. No.	Weight	Description
--------------	----------	--------	-------------

SK 20.050.40 0.32 kg

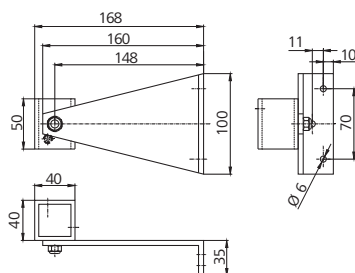
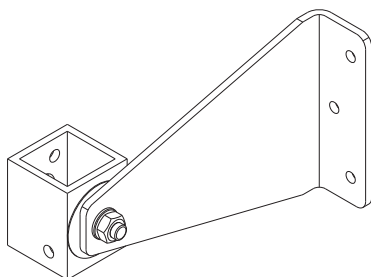
- » Bracket for diagonal installation of drive on window sashes
- » Aluminium, silver anodised



Side bracket	Art. No.	Weight	Description
--------------	----------	--------	-------------

SK-D 20.050.60 0.30 kg

- » Pivoting bracket for diagonal installation of drive on window sashes
- » Consisting of DPK terminal part installed on SK triangular bracket
- » Aluminium, silver anodised



All specifications in mm