

DXD bracket sets

Installation solutions for



Roof windows,
outward opening

- DXD drive

DXD bracket sets

Contents

Profile series / type of assembly	Bracket set	Art. no.	Page
Planning aid			226
Identification system			228
Colour option			229
Mounting solutions for roof windows			230
Aluprof®			
Series MB-SR 50	DXD-BS030-SM	27.ADA.KS	231
	DXD-BS028-OM	27.ACW.KS	231
Colt®			
Series Kameleon E	DXD-BS026-SM	27.ACR.KS	232
	DXD-BS025-OM	27.ACP.KS	232
Gutmann®			
Series 70 roof	DXD-BS011-OM	27.AAZ.KS	233
	DXD-BS012-SM	27.ABB.KS	233
Heroal®			
Series 180	DXD-BS009-OM	27.ABS.KS	234
	DXD-BS010-SM	27.ABU.KS	234
Hueck-Hartmann®			
Series 1.0 covering frame 519 510	DXD-BS015-OM	27.ABM.KS	235
	DXD-BS016-SM	27.ABP.KS	235
Series 1.0 covering frame 519 511	DXD-BS017-OM	27.ACB.KS	236
	DXD-BS018-SM	27.ACC.KS	236
Series 85E	DXD-BS013-OM	27.ABH.KS	237
	DXD-BS014-SM	27.ABK.KS	237
Jet Brakel Aero			
Series Ventria-TG	DXD-BS021-OM	27.ACF.KS	238
	DXD-BS022-SM	27.ACG.KS	238
Raico®			
Series Wing 105D covering frame 208 310	DXD-BS003-OM	27.AAK.KS	239
	DXD-BS001-SM	27.AAG.KS	239
Series Wing 105D covering frame 208 312	DXD-BS004-OM	27.AAS.KS	240
	DXD-BS002-SM	27.AAH.KS	240

DXD bracket sets

Contents

Profile series / type of assembly	Bracket set	Art. no.	Page
Reynaers®			
Series CR120	DXD-BS023-OM	27.ACL.KS	241
	DXD-BS024-SM	27.ACM.KS	241
Series Flush roof vent	DXD-BS032-SM	27.ADN.KS	242
	DXD-BS031-OM	27.ADM.KS	242
Sapa®			
Series SFB 5050/5060	DXD-BS019-OM	27.ACD.KS	243
	DXD-BS020-SM	27.ACE.KS	243
Schüco®			
Series AWS 57 RO sash profile 331 810, 331 820	DXD-BS028-OM	27.ACW.KS	244
	DXD-BS029-SM	27.ACX.KS	244
Series AWS 57 RO sash profile 369 770, 369 780	DXD-BS028-OM	27.ACW.KS	245
	DXD-BS029-SM	27.ACX.KS	245
Series Royal S 88D	DXD-BS007-OM	27.ABD.KS	246
	DXD-BS008-SM	27.ABF.KS	246
Series Royal S 106D	DXD-BS005-OM	27.AAP.KS	247
	DXD-BS006-SM	27.AAR.KS	247
Wicona®			
Series Witectec 50; 60	DXD-BS003-OM	27.AAK.KS	248
	DXD-BS001-SM	27.AAG.KS	248

Normal roof window constructions are not designed for such high loads (e.g. due to snow load or extreme sash dimensions). For loads on the construction of more than 1500N the profiles of the insert frame and the sash frame must be additionally reinforced with steel inserts. In addition, the standard corner cleat must be replaced with extended steel corner cleat. The right shown application example has to be regarded as a D+ H construction-proposal and has to be checked by the user concerning exactness and feasibility on his own authority. Application advices for use have to be supplementary observed in D+H product and instruction for use sheets.

DXD bracket sets

Planning aid

D+H installation solutions – Easy and economic

The quick way to your adequate installation solution

1 Information research
for your application

2 Check
profile manufacturer's name and
profile series

3 Adhere to
installation instruction

4 Order

DXD bracket sets

Planning aid

D+H installation solutions – Easy and economic

Steps in detail

1. Information research for your application

Information you will need for the selection of the adequate bracket set: Profile manufacturer's name

- application type (roof or facade)
- window type
- maximum sash weight / sash load
- desired opening angle
- opening time has to be conform to DIN EN 12101-2
- mounting position of drive
- profile serie
- article no. of outer frame
- article no. of sash frame

2. Check profile manufacturer's name and profile series

If you are looking for an installation solution please check the application overview of »DXD bracket sets« for the profile manufacturer's name and the profile series desired by your customer. If your desired profile series is listed, please open the corresponding page and check it for an adequate bracket set.

3. Adhere to installation instruction

Before ordering please read carefully the installation instructions in the »DXD bracket sets«.

4. Order

Now you can order your bracket set by using the D+H article number.

Pass on the D+H application drawings to your customer so that he can already start with the profile and window production. The application drawing number you will find in the table product information of your selected bracket set. You can download the application drawings in the VIP-Web under »product-application drawings«.

Remark:

If your profile manufacturer's name and the profile series desired by your customer is not listed, please contact the D+H application technology department, who will assist you to find a technical solution.

DXD bracket sets

Identification system

DXD	BS	007	OM
			OM Opposite mounted SM Side mounted
		007	Consecutive numbers per product line
	BS Bracket set FB Frame bracket SB Sash bracket CP Cover plate AB Adapter bracket		
DXD	High performance rack and pinion drive		

DXD bracket sets

Colour option

DXD-BS/C (27.AAV.KS)

Order and delivery

Option	Order
<ul style="list-style-type: none"> You can order the complete bracket set as well as sash bracket, frame bracket and basis bracket as colour option. Colour option: <ul style="list-style-type: none"> The RAL color systems are standards of the RAL institute for colours. Today the „RAL CLASSIC“ system is well-known: This system exists since 1927 and is characterized by 210 different colours and a four-digit numbering system. Sash bracket, frame bracket and basis bracket will be varnished or powder coated according to RAL colour chart K5. 	<p>Please provide the following information for an order:</p> <ul style="list-style-type: none"> Colour option: Type: DXD-BS/C, Art.-No.: 27.AAV.KS Type of bracket which should be varnished/powder coated e.g.: DXD-BS012-OM (see planning aid for searching and finding the appropriate bracket set) colour (four-digit RAL label) if possible including colour name Technique (varnish or powder coating) Quantity Packaging (single pack or multipack) Price for varnishing/powder coating depends on the number of items which have to be varnished.

Product information

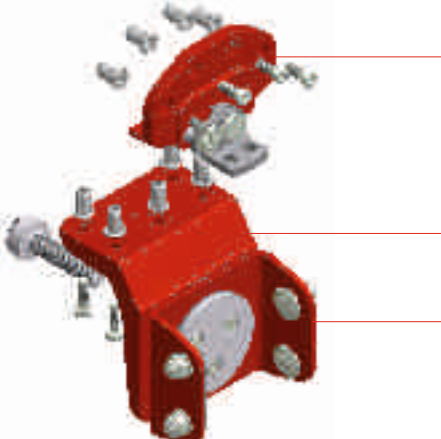
Type	DXD-BS/C	
Art.-No. Set	27.AAV.KS	
Colour system	RAL Classic K5 (more colors on request)	
Technique	varnish, powder coating	
Scope of supply	same as standard	

Order example

Example

Type / Art.-No. colour option	DXD-BS/C / 27.AAV.KS	
Type	DXD-BS012-SM	
Colour system	RAL 9016	
Technique	varnish	
Quantity	100	
Packaging	multipack	

Example bracket set DXD-BS012-OM



Varnished/powder coated components are shown in red for clarification. Screws and splints will not be varnished/powder coated.

Components will be varnished/powder coated in RAL xxxx

DXD bracket sets

Mounting solutions for roof windows

Arguments for D+H installation solutions

Efficiency

- Time-saving installation through optimal adaptation of the bracket set to the particular profile system

High strength

- Installation solutions designed for maximum load-bearing (up to 3000N)

EN 12101-2 tested

- Bracket sets and their fitting solutions are tested and certified according to EN12101-2

Quick fitting

- Brackets are ready for immediate installation - no additional adaptation work on the brackets is necessary

Functional safety

- Optimum adaptation of the bracket to the particular drive system guarantees complete functional safety

Complete scope of supply

- All necessary fixing materials are included in the scope of supply of the bracket set

Design

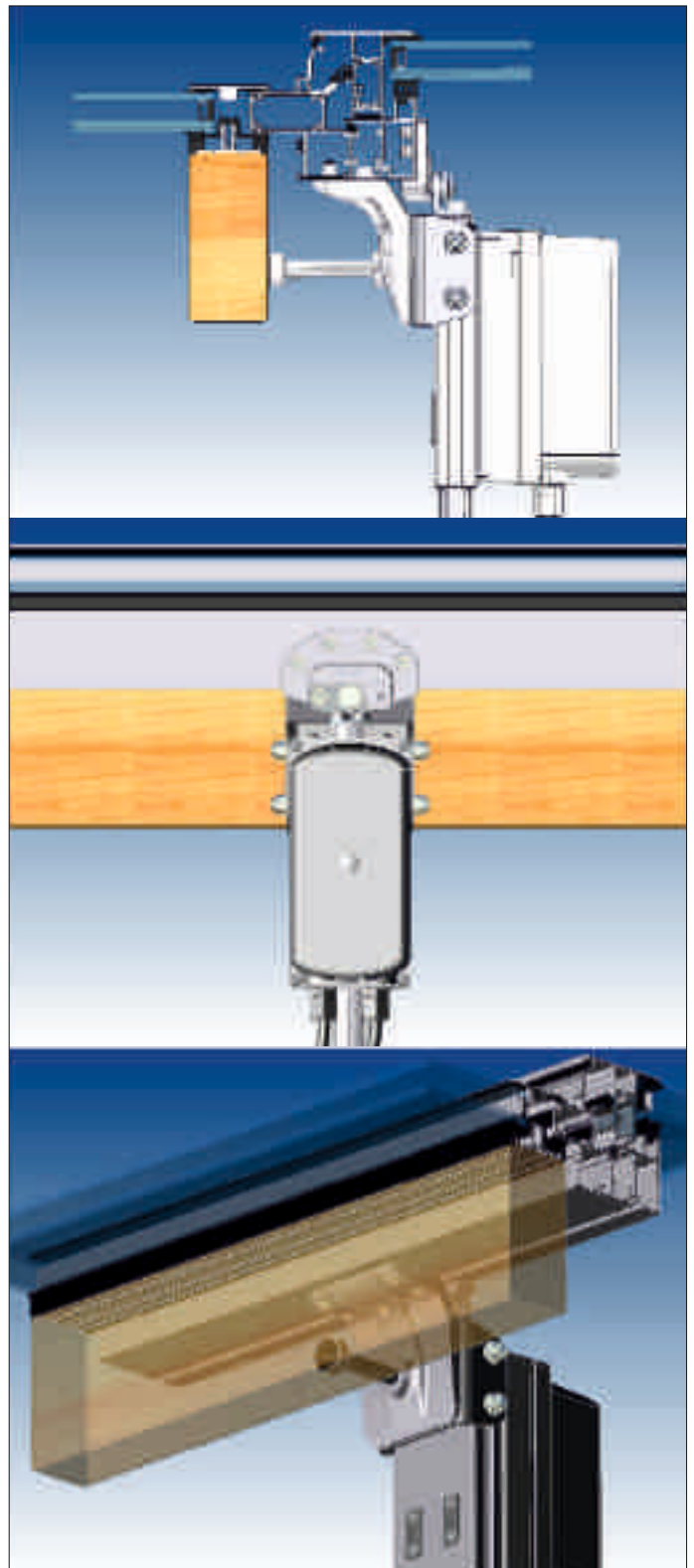
- Functional design which also satisfies high aesthetic requirements

Special colours

- All brackets can be supplied in a special colour as an option, according to RAL Classic (colour chart RAL-K5) (wet-painted or powder-coated)

Documentation

- Application drawings suitable for window and facade manufacturers available



DXD bracket sets for Aluprof® Series MB-SR 50

Application

Outward opening roof window, opposite mounted	Outward opening roof window, side mounted

Product information

	opposite mounted	side mounted
Type	DXD-BS028-OM	DXD-BS030-SM
Art. no. set	27.ACW.KS	27.ADA.KS
Drive used	DXD; all versions	DXD; all versions
Art. no. variant	27.AAV.KS	27.AAV.KS
AD drawing number	AD00216	AD00215

Components

	DXD-BS028-OM	DXD-BS030-SM
Sash bracket / art. no.	DXD-SB015-OM / 27.AAV.KS	DXD-SB038-SM / 27.ACZ.KS
Frame bracket / art. no.	DXD-FB010-OM / 27.ACY.KS	DXD-FB008-SM / 27.ACH.KS
Basis bracket / art. no.	–	–
Thread plate / art. no.	–	–
Support spindle / art. no.	37 mm / 27.AZZ.KS	62 mm / 27.AZV.KS
Scope of supply	Complete, including fixing materials	

DXD-BS028-OM

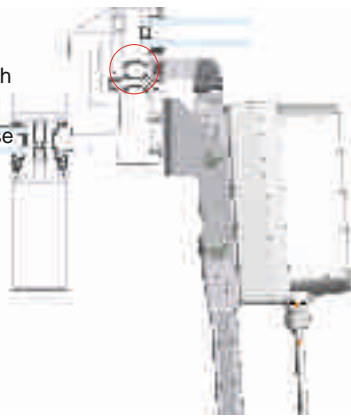
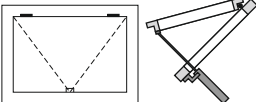

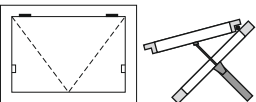


DXD-BS030-SM



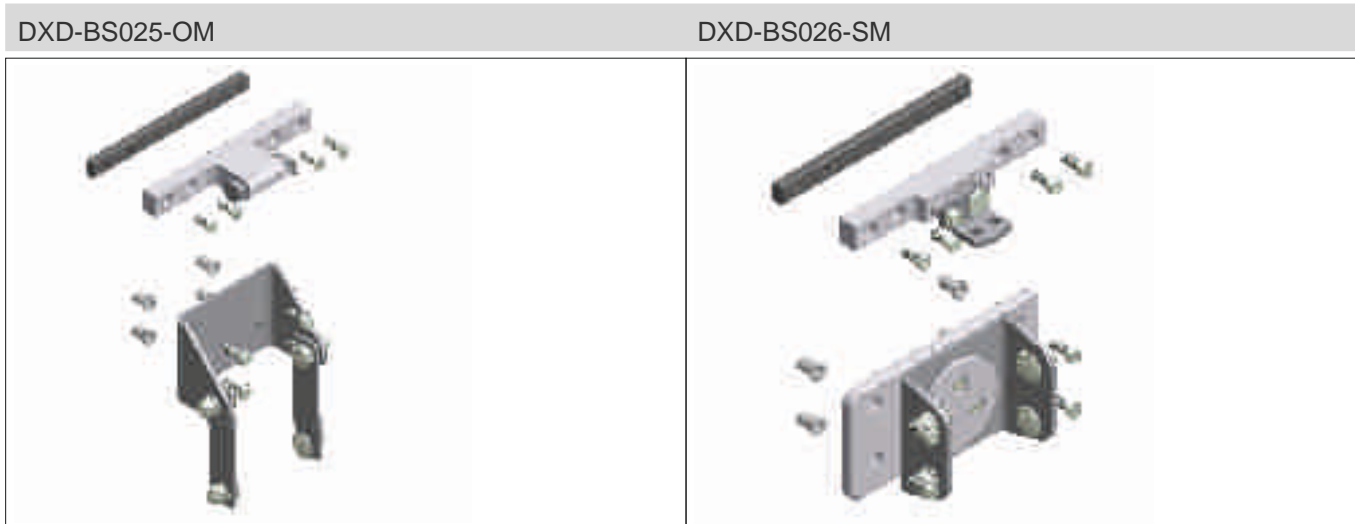
DXD bracket sets for Colt® Series Kameleon E

Application

Outward opening roof window, opposite mounted	Outward opening roof window, side mounted
<ul style="list-style-type: none"> The T-slot nut of the frame bracket must first be inserted before the assembly of the sash frame parts. For more detailed information on assembly, please refer to the D+H application drawings.  	<ul style="list-style-type: none"> The T-slot nut of the frame bracket must first be inserted before the assembly of the sash frame parts. For more detailed information on assembly, please refer to the D+H application drawings.  


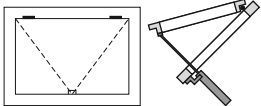

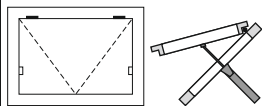
Product information	opposite mounted	side mounted
Type	DXD-BS025-OM	DXD-BS026-SM
Art. no. set	27.ACP.KS	27.ACR.KS
Drive used	DXD; all versions	DXD; all versions
Art. no. variant	27.AAV.KS	27.AAV.KS
AD drawing number	AD00066	AD00065

Components	DXD-BS025-OM	DXD-BS026-SM
Sash bracket / art. no.	DXD-SB036-CEKE-OM / 27.ACT.KS	DXD-SB035-CEKE-SM / 27.ACS.KS
Frame bracket / art. no.	–	DXD-FB006-SM / 27.ABZ.KS
Basis bracket / art. no.	DXD-BB001-OM / 27.AAA.KS	–
Sliding block / art. no.	CEKE / 65.403.08	CEKE / 65.403.08
Support spindle / art. no.	–	–
Scope of supply	Complete, including fixing materials ; sliding block is to be ordered separately	



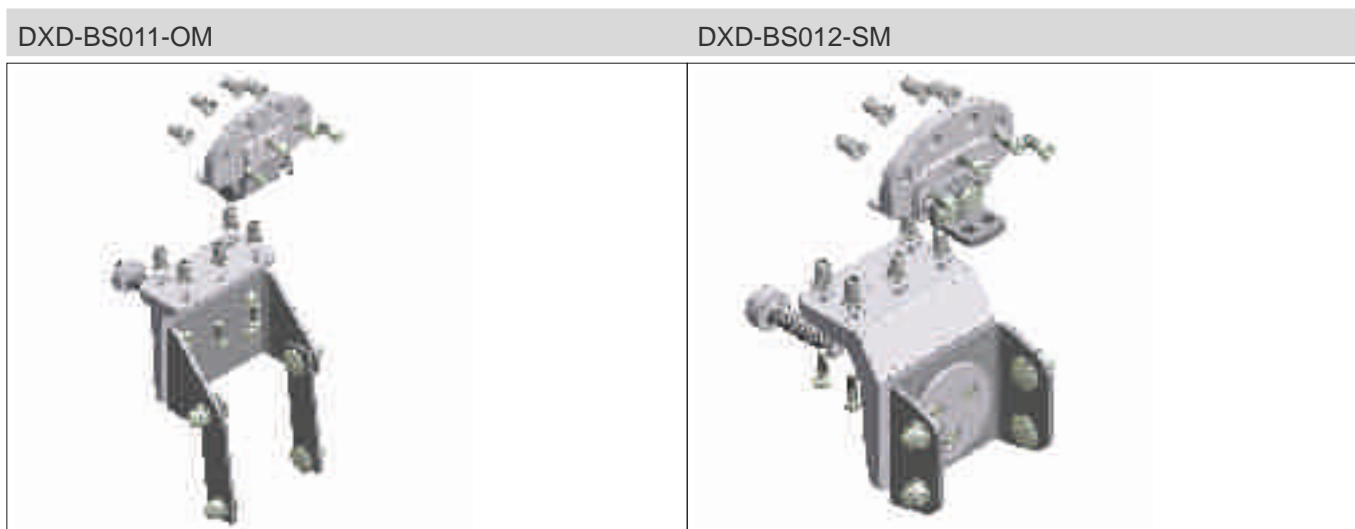
DXD bracket sets for Gutmann® Series S70

Application

Outward opening roof window, opposite mounted	Outward opening roof window, side mounted
<ul style="list-style-type: none"> In order that the frame bracket support spindle can be used on the transom/mullion, the transom-mullion construction must have a minimum depth of 75 mm. Without support spindle, only a load of approx. 1500N is possible.  	<ul style="list-style-type: none"> In order that the frame bracket support spindle can be used on the transom/mullion, the transom-mullion construction must have a minimum depth of 75 mm. Without support spindle, only a load of approx. 1500N is possible.  


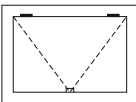
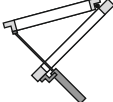
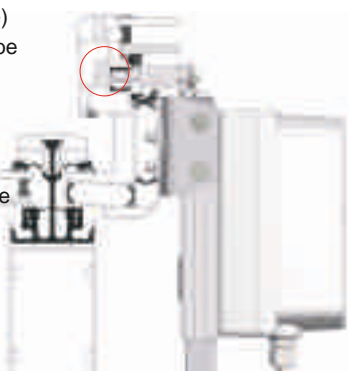
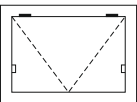
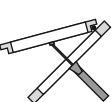
Product information	opposite mounted	side mounted
Type	DXD-BS011-OM	DXD-BS012-SM
Art. no. set	27.AAZ.KS	27.ABB.KS
Drive used	DXD; all versions	DXD; all versions
Art. no. variant	27.AAV.KS	27.AAV.KS
AD drawing number	AD00026	AD00025

Components	DXD-BS011-OM	DXD-BS012-SM
Sash bracket / art. no.	DXD-SB023-OM / 27.ABE.KS	DXD-SB021-SM / 27.ABC.KS
Frame bracket / art. no.	DXD-FB002-OM / 27.ABY.KS	DXD-FB003-SM / 27.ABR.KS
Basis bracket / art. no.	–	–
Thread plate / art. no.	–	–
Support spindle / art. no.	25mm / 27.AZU.KS	62mm / 27.AZV.KS
Scope of supply	Complete, including fixing materials	



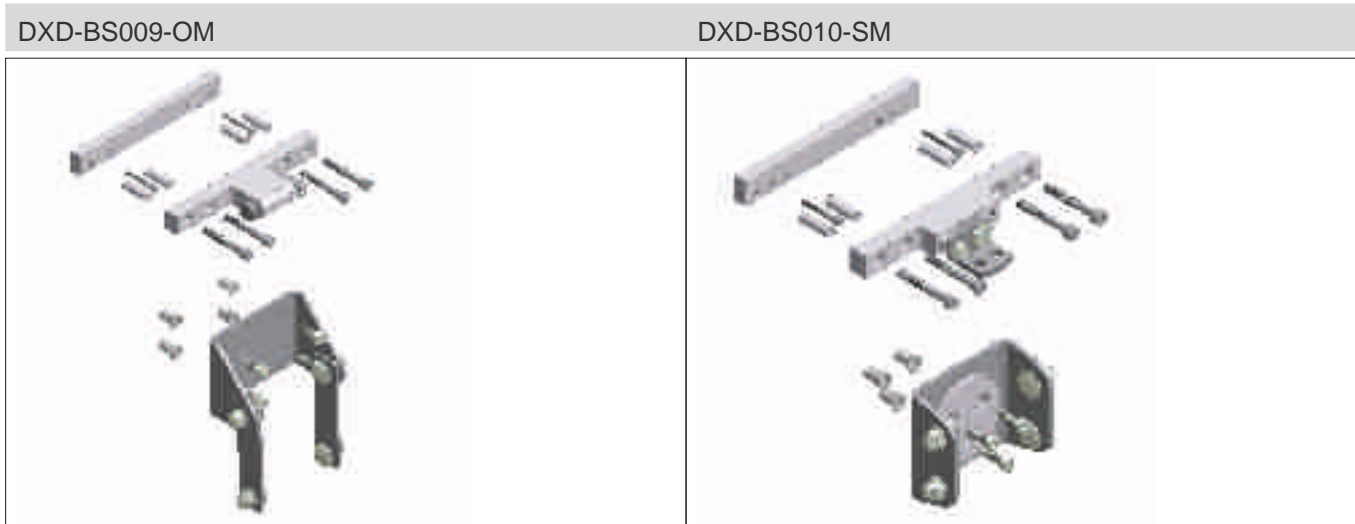
DXD bracket sets for Heroal® Series 180

Application

Outward opening roof window, opposite mounted	Outward opening roof window, side mounted
<ul style="list-style-type: none"> The thread plate (see red circle) of the frame bracket must first be inserted into the space of the profile and appropriately fixed before assembly of the sash frame parts. For more detailed information on assembly, please refer to the D+H application drawings.   	<ul style="list-style-type: none"> The thread plate (see red circle) of the frame bracket must first be inserted into the space of the profile and appropriately fixed before assembly of the sash frame parts. For more detailed information on assembly, please refer to the D+H application drawings.   

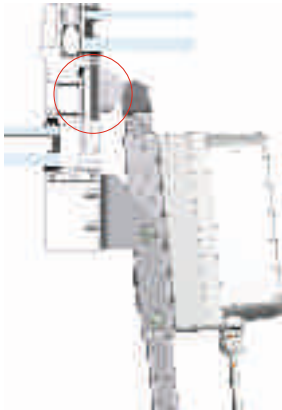

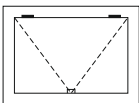
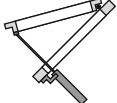
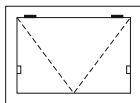
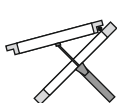
Product information	opposite mounted	side mounted
Type	DXD-BS009-OM	DXD-BS010-SM
Art. no. set	27.ABS.KS	27.ABU.KS
Drive used	DXD; all versions	DXD; all versions
Art. no. variant	27.AAV.KS	27.AAV.KS
AD drawing number	AD00008	AD00007

Components	DXD-BS009-OM	DXD-BS010-SM
Sash bracket / art. no.	DXD-SB013-HE180D-OM / 27.AAU.KS	DXD-SB011-HE180D-SM / 27.AAM.KS
Frame bracket / art. no.	–	–
Basis bracket / art. no.	DXD-BB001-OM / 27.AAA.KS	DXD-BB003-SM / 27.AAE.KS
Thread plate / art. no.	–	–
Support spindle / art. no.	–	–
Scope of supply	Complete, including fixing materials	



DXD bracket sets for Hueck-Hartmann® Series 1.0 (covering frame 519 510)

Application

Outward opening roof window, opposite mounted	Outward opening roof window, side mounted
<ul style="list-style-type: none"> The thread plate (see red circle) of the frame bracket must first be inserted into the space of the profile and appropriately fixed before assembly of the sash frame parts. For more detailed information on assembly, please refer to the D+H application drawings. 	<ul style="list-style-type: none"> The thread plate (see red circle) of the frame bracket must first be inserted into the space of the profile and appropriately fixed before assembly of the sash frame parts. For more detailed information on assembly, please refer to the D+H application drawings. 
 	 

Product information

	opposite mounted	side mounted
Type	DXD-BS015-OM	DXD-BS016-SM
Art. no. set	27.ABM.KS	27.ABP.KS
Drive used	DXD; all versions	DXD; all versions
Art. no. variant	27.AAV.KS	27.AAV.KS
AD drawing number	AD00028	AD00027

Components

	DXD-BS015-OM	DXD-BS016-SM
Sash bracket / art. no.	DXD-SB019-HU1.0-OM / 27.ABA.KS	DXD-SB017-HU1.0-SM / 27.AAY.KS
Frame bracket / art. no.	–	DXD-FB006-SM / 27.ABZ.KS
Basis bracket / art. no.	DXD-BB001-OM / 27.AAA.KS	–
Thread plate / art. no.	–	–
Support spindle / art. no.	–	–
Scope of supply	Complete, including fixing materials	

DXD-BS015-OM


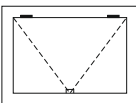
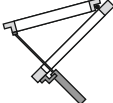
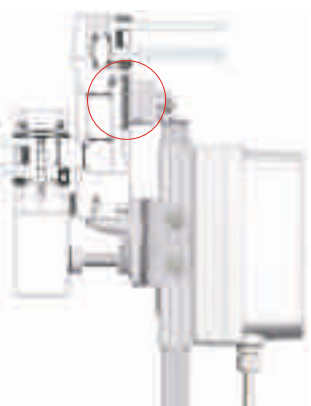
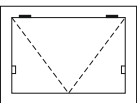
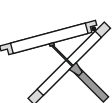


DXD-BS016-SM



DXD bracket sets for Hueck-Hartmann® Series 1.0 (covering frame 519 511)

Application

Outward opening roof window, opposite mounted	Outward opening roof window, side mounted
<ul style="list-style-type: none"> The thread plate (see red circle) of the frame bracket must first be inserted into the space of the profile and appropriately fixed before assembly of the sash frame parts. For more detailed information on assembly, please refer to the D+H application drawings.   	<ul style="list-style-type: none"> The thread plate (see red circle) of the frame bracket must first be inserted into the space of the profile and appropriately fixed before assembly of the sash frame parts. For more detailed information on assembly, please refer to the D+H application drawings.   

Product information

	opposite mounted	side mounted
Type	DXD-BS017-OM	DXD-BS018-SM
Art. no. set	27.AC.B.KS	27.ACC.KS
Drive used	DXD; all versions	DXD; all versions
Art. no. variant	27.AAV.KS	27.AAV.KS
AD drawing number	AD00030	AD00029

Components

	DXD-BS017-OM	DXD-BS018-SM
Sash bracket / art. no.	DXD-SB019-HU1.0-OM / 27.ABA.KS	DXD-SB017-HU1.0-SM / 27.AAY.KS
Frame bracket / art. no.	DXD-FB005-OM / 27.ABX.KS	DXD-FB004-SM / 27.ABW.KS
Basis bracket / art. no.	–	–
Thread plate / art. no.	–	–
Support spindle / art. no.	62mm / 27.AZV.KS	62mm / 27.AZV.KS
Scope of supply	Complete, including fixing materials	

DXD-BS017-OM




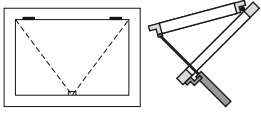

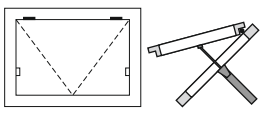
DXD-BS018-SM



In order that the frame bracket support spindle can be used on the transom/mullion, the transom-mullion construction must have a minimum depth of 100mm. Without support spindle, only a load of approx. 1500N is possible.

DXD bracket sets for Hueck-Hartmann® Series 85E

Application

Outward opening roof window, opposite mounted	Outward opening roof window, side mounted
<ul style="list-style-type: none"> In order that the frame bracket support spindle can be used on the transom/mullion, the transom-mullion construction must have a minimum depth of 100mm. Without support spindle, only a load of approx. 1500N is possible.  	<ul style="list-style-type: none"> In order that the frame bracket support spindle can be used on the transom/mullion, the transom-mullion construction must have a minimum depth of 100mm. Without support spindle, only a load of approx. 1500N is possible.  

Product information

	opposite mounted	side mounted
Type	DXD-BS013-OM	DXD-BS014-SM
Art. no. set	27.ABH.KS	27.ABK.KS
Drive used	DXD; all versions	DXD; all versions
Art. no. variant	27.AAV.KS	27.AAV.KS
AD drawing number	AD00032	AD00031

Components

	DXD-BS013-OM	DXD-BS014-SM
Sash bracket / art. no.	DXD-SB027HU85E-OM / 27.ABJ.KS	DXD-SB025HU85E-SM / 27.ABG.KS
Frame bracket / art. no.	DXD-FB002-OM / 27.ABY.KS	DXD-FB008-SM / 27.ACH.KS
Basis bracket / art. no.	–	–
Thread plate / art. no.	–	–
Support spindle / art. no.	62mm / 27.AZV.KS	87mm / 27.AZW.KS
Scope of supply	Complete, including fixing materials	

DXD-BS013-OM


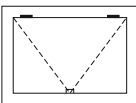
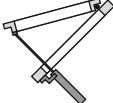

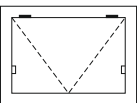
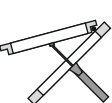


DXD-BS014-SM



DXD bracket sets for Jet Brakel Aero Series Ventria-TG

Application

Outward opening roof window, opposite mounted	Outward opening roof window, side mounted
<ul style="list-style-type: none"> Special hammer-head screws from Jet Brakel are enclosed for fixing the frame bracket.   	<ul style="list-style-type: none"> The thread plates (see red circles) of the frame bracket must first be inserted into the space of the profile and appropriately fixed before assembly of the sash frame parts. For more detailed information on assembly, please refer to the D+H application drawings.   

Product information

	opposite mounted	side mounted
Type	DXD-BS021-OM	DXD-BS022-SM
Art. no. set	27.AC.F.KS	27.ACG.KS
Drive used	DXD; all versions	DXD; all versions
Art. no. variant	27.AAV.KS	27.AAV.KS
AD drawing number	–	–

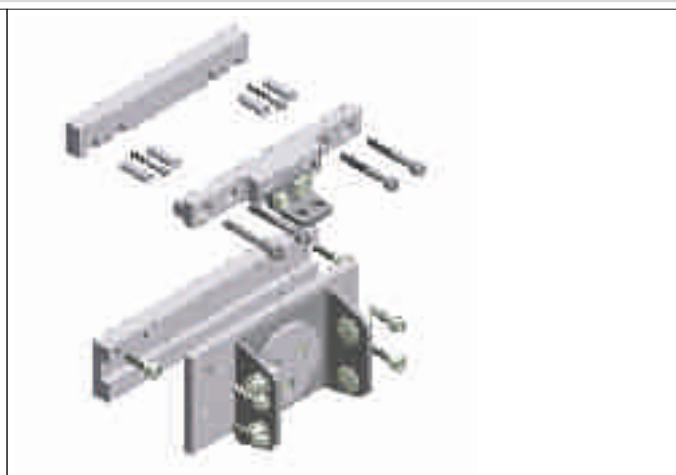
Components

	DXD-BS021-OM	DXD-BS022-SM
Sash bracket / art. no.	DXD-SB015-OM / 27.AAV.KS	DXD-SB009-Ventria TG-SM / 27.AAT.KS
Frame bracket / art. no.	–	DXD-FB007-Ventria TG-SM / 27.ABV.KS
Basis bracket / art. no.	DXD-BB001-OM / 27.AAA.KS	–
Thread plate / art. no.	–	–
Adapter plate / art no.	DXD adapter plate Ventria TG-OM / 65.402.93	–
Scope of supply	Complete, including fixing materials	

DXD-BS021-OM



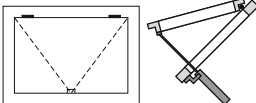
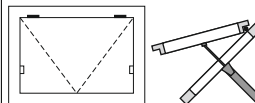


DXD-BS022-SM



DXD bracket sets for Raico® Series Wing 105D (covering frame 208 310)

Application

Outward opening roof window, opposite mounted	Outward opening roof window, side mounted
<ul style="list-style-type: none"> In order that the frame bracket support spindle can be used on the transom/mullion, the transom-mullion construction must have the minimum depths of 80mm. Without support spindle, only a load of approx. 1500N is possible. 	<ul style="list-style-type: none"> In order that the frame bracket support spindle can be used on the transom/mullion, the transom-mullion construction must have the minimum depths of 120mm. Without support spindle, only a load of approx. 1500N is possible.
	
	

Product information

	opposite mounted	side mounted
Type	DXD-BS003-OM	DXD-BS001-SM
Art. no. set	27.AAK.KS	27.AAG.KS
Drive used	DXD; all versions	DXD; all versions
Art. no. variant	27.AAV.KS	27.AAV.KS
AD drawing number	AD00012	AD00013

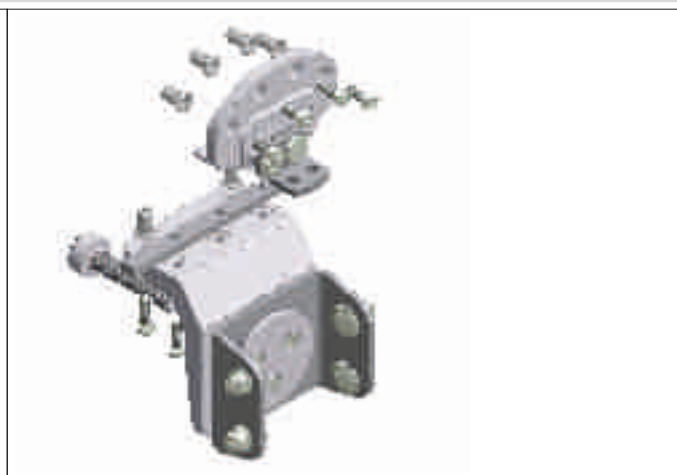
Components

	DXD-BS003-OM	DXD-BS001-SM
Sash bracket / art. no.	DXD-SB023-OM / 27.ABE.KS	DXD-SB021-SM / 27.ABC.KS
Frame bracket / art. no.	DXD-FB001-OM / 27.ABT.KS	DXD-FB003-SM / 27.ABR.KS
Basis bracket / art. no.	–	–
Thread plate / art. no.	6x12x150mm / 65.401.93	6x12x150mm / 65.401.93
Support spindle / art. no.	37mm / 27.AZZ.KS	75mm / 27.AZX.KS
Scope of supply	Complete, including fixing materials	

DXD-BS003-OM


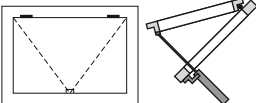
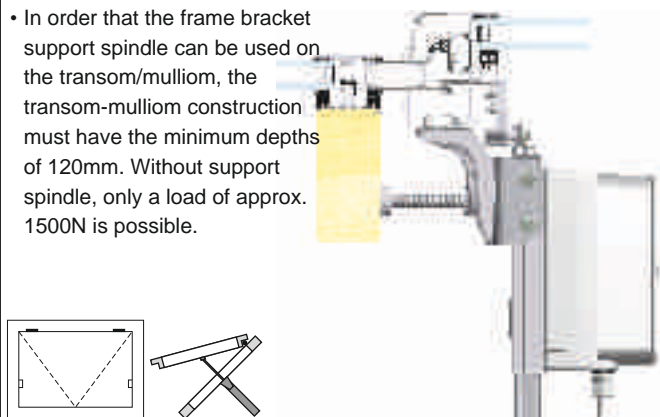
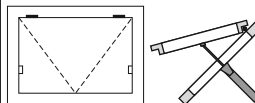


DXD-BS001-SM



DXD bracket sets for Raico® Series Wing 105D (covering frame 208 312)

Application

Outward opening roof window, opposite mounted	Outward opening roof window, side mounted
<ul style="list-style-type: none"> In order that the frame bracket support spindle can be used on the transom/mullion, the transom-mullion construction must have the minimum depths of 80mm. Without support spindle, only a load of approx. 1500N is possible.  	<ul style="list-style-type: none"> In order that the frame bracket support spindle can be used on the transom/mullion, the transom-mullion construction must have the minimum depths of 120mm. Without support spindle, only a load of approx. 1500N is possible.  

Product information

	opposite mounted	side mounted
Type	DXD-BS004-OM	DXD-BS002-SM
Art. no. set	27.AAS.KS	27.AAH.KS
Drive used	DXD; all versions	DXD; all versions
Art. no. variant	27.AAV.KS	27.AAV.KS
AD drawing number	AD00039	AD00040

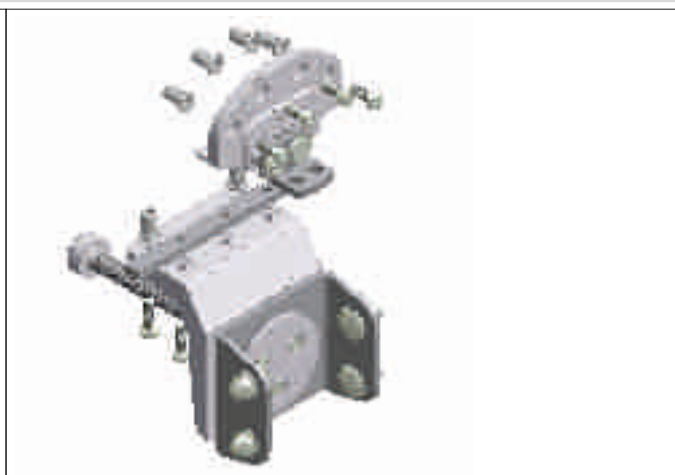
Components

	DXD-BS004-OM	DXD-BS002-SM
Sash bracket / art. no.	DXD-SB023-OM / 27.ABE.KS	DXD-SB021-SM / 27.ABC.KS
Frame bracket / art. no.	DXD-FB001-OM / 27.ABT.KS	DXD-FB003-SM / 27.ABR.KS
Basis bracket / art. no.	–	–
Thread plate / art. no.	6x12x150mm / 65.401.93	6x12x150mm / 65.401.93
Support spindle / art. no.	50mm / 27.AZY.KS	87mm / 27.AZW.KS
Scope of supply	Complete, including fixing materials	

DXD-BS004-OM

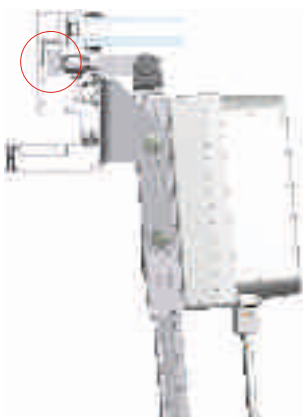
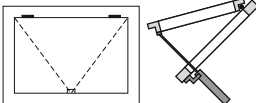

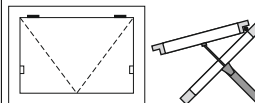


DXD-BS002-SM



DXD bracket sets for Reynaers® Series CR120

Application

Outward opening roof window, opposite mounted	Outward opening roof window, side mounted
<ul style="list-style-type: none"> The thread plate (see red circle) of the frame bracket must first be inserted into the space of the profile and appropriately fixed before assembly of the sash frame parts. For more detailed information on assembly, please refer to the D+H application drawings.  	<ul style="list-style-type: none"> The thread plate (see red circle) of the frame bracket must first be inserted into the space of the profile and appropriately fixed before assembly of the sash frame parts. For more detailed information on assembly, please refer to the D+H application drawings.  

Product information

	opposite mounted	side mounted
Type	DXD-BS023-OM	DXD-BS024-SM
Art. no. set	27.ACL.KS	27.ACM.KS
Drive used	DXD; all versions	DXD; all versions
Art. no. variant	27.AAV.KS	27.AAV.KS
AD drawing number	AD00044	AD00043

Components

	DXD-BS023-OM	DXD-BS024-SM
Sash bracket / art. no.	DXD-SB034-CR120-SM / 27.ACK.KS	DXD-SB033-CR120-SM / 27.ACJ.KS
Frame bracket / art. no.	DXD-BB001-OM / 27.AAA.KS	DXD-FB009-CR120-SM / 27.ACN.KS
Basis bracket / art. no.	–	–
Thread plate / art. no.	–	–
Support spindle / art. no.	–	–
Scope of supply	Complete, including fixing materials	

DXD-BS023-OM



DXD-BS024-SM



DXD bracket sets for Reynaers® Series Flush roof vent

Application

Outward opening roof window, opposite mounted	Outward opening roof window, side mounted

Product information

	opposite mounted	side mounted
Type	DXD-BS031-OM	DXD-BS032-SM
Art. no. set	27.ADM.KS	27.ADN.KS
Drive used	DXD; all versions	DXD; all versions
Art. no. variant	27.AAV.KS	27.AAV.KS
AD drawing number	AD00265	AD00264

Components

	DXD-BS031-OM	DXD-BS032-SM
Sash bracket / art. no.	DXD-SB015-OM / 27.AAV.KS	DXD-SB038-SM / 27.ACZ.KS
Frame bracket / art. no.	DXD-FB002-OM / 27.ABY.KS	DXD-FB011-SM / 27.ADP.KS
Basis bracket / art. no.	–	–
Thread plate / art. no.	–	–
Support spindle / art. no.	37 mm / 27.AZZ:KS	75 mm / 27.AZX.KS
Scope of supply	Complete, including fixing materials	

DXD-BS031-OM

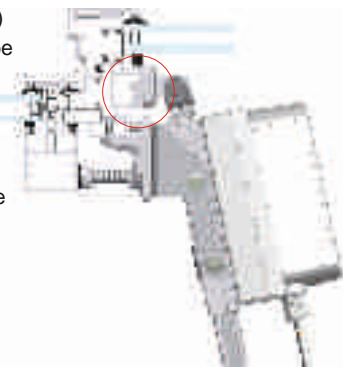
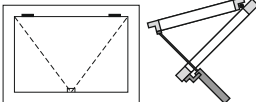

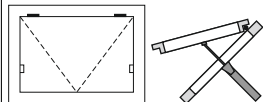


DXD-BS032-SM





DXD bracket sets for Sapa® Series SFB 5050/5060

Application

Outward opening roof window, opposite mounted	Outward opening roof window, side mounted
<ul style="list-style-type: none"> The thread plate (see red circle) of the frame bracket must first be inserted into the space of the profile and appropriately fixed before assembly of the sash frame parts. For more detailed information on assembly, please refer to the D+H application drawings.  	<ul style="list-style-type: none"> The thread plate (see red circle) of the frame bracket must first be inserted into the space of the profile and appropriately fixed before assembly of the sash frame parts. For more detailed information on assembly, please refer to the D+H application drawings.  

Product information	opposite mounted	side mounted
Type	DXD-BS019-OM	DXD-BS020-SM
Art. no. set	27.ACD.KS	27.ACE.KS
Drive used	DXD; all versions	DXD; all versions
Art. no. variant	27.AAV.KS	27.AAV.KS
AD drawing number	AD00034	AD00033

Components	DXD-BS019-OM	DXD-BS020-SM
Sash bracket / art. no.	DXD-SB031-SASFB-OM / 27.ABN.KS	DXD-SB029-SASFB-SM / 27.ABL.KS
Frame bracket / art. no.	DXD-FB005-OM / 27.ABX.KS	DXD-FB004-SM / 27.ABW.KS
Basis bracket / art. no.	–	–
Thread plate / art. no.	6x12x150mm / 65.401.93	6x12x150mm / 65.401.93
Support spindle / art. no.	62mm / 27.AZV.KS	62mm / 27.AZV.KS
Scope of supply	Complete, including fixing materials	

DXD-BS019-OM	DXD-BS020-SM
	
<p>In order that the frame bracket support spindle can be used on the transom/mulliom, the transom-mulliom construction must have a minimum depth of 100mm. Without support spindle, only a load of approx. 1500N is possible.</p>	

DXD bracket sets for Schüco® Series AWS 57 RO (sash profile 331 810, 331 820)

Application

Outward opening roof window, opposite mounted	Outward opening roof window, side mounted

Product information

	opposite mounted	side mounted
Type	DXD-BS028-OM	DXD-BS029-SM
Art. no. set	27.ACW.KS	27.ACX.KS
Drive used	DXD; all versions	DXD; all versions
Art. no. variant	27.AAV.KS	27.AAV.KS
AD drawing number	AD00129	AD00128

Components

	DXD-BS028-OM	DXD-BS029-SM
Sash bracket / art. no.	DXD-SB015-OM / 27.AAV.KS	DXD-SB037-SM / 27.ACX.KS
Frame bracket / art. no.	DXD-FB010-OM / 27.ACY.KS	DXD-FB003-SM / 27.ABR.KS
Basis bracket / art. no.	–	–
Thread plate / art. no.	–	–
Support spindle / art. no.	37mm / 27.AZZ.KS	75mm / 27.AZX.KS
Scope of supply	Complete, including fixing materials	

DXD-BS028-OM



DXD-BS029-SM



DXD bracket sets for Schüco® Series AWS 57 RO (sash profile 369 770, 369 780)

Application

Outward opening roof window, opposite mounted	Outward opening roof window, side mounted

Product information

	opposite mounted	side mounted
Type	DXD-BS028-OM	DXD-BS029-SM
Art. no. set	27.ACW.KS	27.ACX.KS
Drive used	DXD; all versions	DXD; all versions
Art. no. variant	27.AAV.KS	27.AAV.KS
AD drawing number	AD00131	AD00130

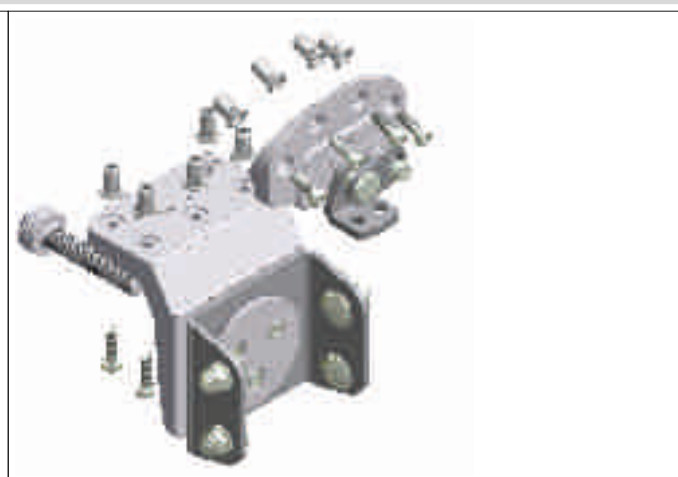
Components

	DXD-BS028-OM	DXD-BS029-SM
Sash bracket / art. no.	DXD-SB015-OM / 27.AAV.KS	DXD-SB037-SM / 27.ACX.KS
Frame bracket / art. no.	DXD-FB010-OM / 27.ACY.KS	DXD-FB003-SM / 27.ABR.KS
Basis bracket / art. no.	–	–
Thread plate / art. no.	–	–
Support spindle / art. no.	37mm / 27.AZZ.KS	75mm / 27.AZX.KS
Scope of supply	Complete, including fixing materials	

DXD-BS028-OM



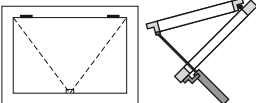
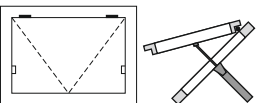


DXD-BS029-SM



DXD bracket sets for Schüco® Series Royal S 88D

Application

Outward opening roof window, opposite mounted	Outward opening roof window, side mounted
<ul style="list-style-type: none"> The thread plate (see red circle) of the frame bracket must first be inserted into the space of the profile and appropriately fixed before assembly of the sash frame parts. For more detailed information on assembly, please refer to the D+H application drawings. 	<ul style="list-style-type: none"> The thread plate (see red circle) of the frame bracket must first be inserted into the space of the profile and appropriately fixed before assembly of the sash frame parts. For more detailed information on assembly, please refer to the D+H application drawings. 
	

Product information

	opposite mounted	side mounted
Type	DXD-BS007-OM	DXD-BS008-SM
Art. no. set	27.ABD.KS	27.ABF.KS
Drive used	DXD; all versions	DXD; all versions
Art. no. variant	27.AAV.KS	27.AAV.KS
AD drawing number	AD00005	AD00004

Components

	DXD-BS007-OM	DXD-BS008-SM
Sash bracket / art. no.	DXD-SB005-RS88D-OM / 27.AAN.KS	DXD-SB007-RS88D-SM / 27.AAL.KS
Frame bracket / art. no.	–	–
Basis bracket / art. no.	DXD-BB001-OM / 27.AAA.KS	DXD-BB003-SM / 27.AAE.KS
Thread plate / art. no.	–	–
Adapter bracket / art. no.	–	AB001-RS88D-SM / 27.CMA.KS
Scope of supply	Complete, including fixing materials	

DXD-BS007-OM

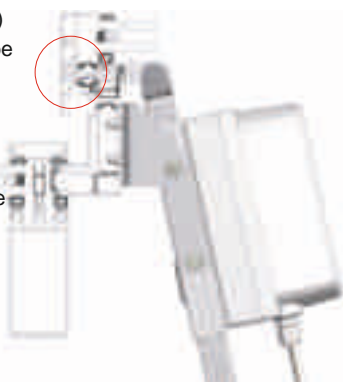
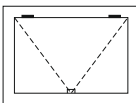
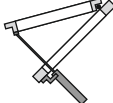

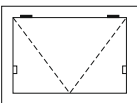
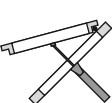


DXD-BS008-SM



DXD bracket sets for Schüco® Series Royal S 106D

Application

Outward opening roof window, opposite mounted	Outward opening roof window, side mounted
<ul style="list-style-type: none"> The thread plate (see red circle) of the frame bracket must first be inserted into the space of the profile and appropriately fixed before assembly of the sash frame parts. For more detailed information on assembly, please refer to the D+H application drawings.   	<ul style="list-style-type: none"> The thread plate (see red circle) of the frame bracket must first be inserted into the space of the profile and appropriately fixed before assembly of the sash frame parts. For more detailed information on assembly, please refer to the D+H application drawings.   

Product information

	opposite mounted	side mounted
Type	DXD-BS005-OM	DXD-BS006-SM
Art. no. set	27.AAP.KS	27.AAR.KS
Drive used	DXD; all versions	DXD; all versions
Art. no. variant	27.AAV.KS	27.AAV.KS
AD drawing number	AD00003	AD00002

Components

	DXD-BS005-OM	DXD-BS006-SM
Sash bracket / art. no.	DXD-SB001-RS106D-OM / 27.AAD.KS	DXD-SB003-RS106D-SM / 27.AAF.KS
Frame bracket / art. no.	–	–
Basis bracket / art. no.	DXD-BB001-OM / 27.AAA.KS	DXD-BB003-SM / 27.AAE.KS
Thread plate / art. no.	–	–
Support spindle / art. no.	–	–
Scope of supply	Complete, including fixing materials	

DXD-BS005-OM


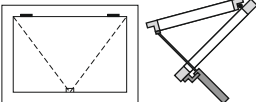

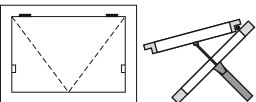


DXD-BS006-SM



DXD bracket sets for Wicona® Serie Wictec 50; 60

Application

Outward opening roof window, opposite mounted	Outward opening roof window, side mounted
<ul style="list-style-type: none"> In order that the frame bracket support spindle can be used on the transom/mullion, the transom-mullion construction must have the minimum depths of 90mm. Without support spindle, only a load of approx. 1500N is possible.  	<ul style="list-style-type: none"> In order that the frame bracket support spindle can be used on the transom/mullion, the transom-mullion construction must have the minimum depths of 115mm. Without support spindle, only a load of approx. 1500N is possible.  

Product information	opposite mounted	side mounted
Type	DXD-BS003-OM	DXD-BS001-SM
Art. no. set	27.AAK.KS	27.AAG.KS
Drive used	DXD; all versions	DXD; all versions
Art. no. variant	27.AAV.KS	27.AAV.KS
AD drawing number	AD00015	AD00016

Components	DXD-BS003-OM	DXD-BS001-SM
Sash bracket / art. no.	DXD-SB023-OM / 27.ABE.KS	DXD-SB021-SM / 27.ABC.KS
Frame bracket / art. no.	DXD-FB001-OM / 27.ABT.KS	DXD-FB003-SM / 27.ABR.KS
Basis bracket / art. no.	–	–
Thread plate / art. no.	6x12x150mm / 65.401.93	6x12x150mm / 65.401.93
Support spindle / art. no.	37mm / 27.AZZ.KS	75mm / 27.AZX.KS
Scope of supply	Complete, including fixing materials	

