

Series 27

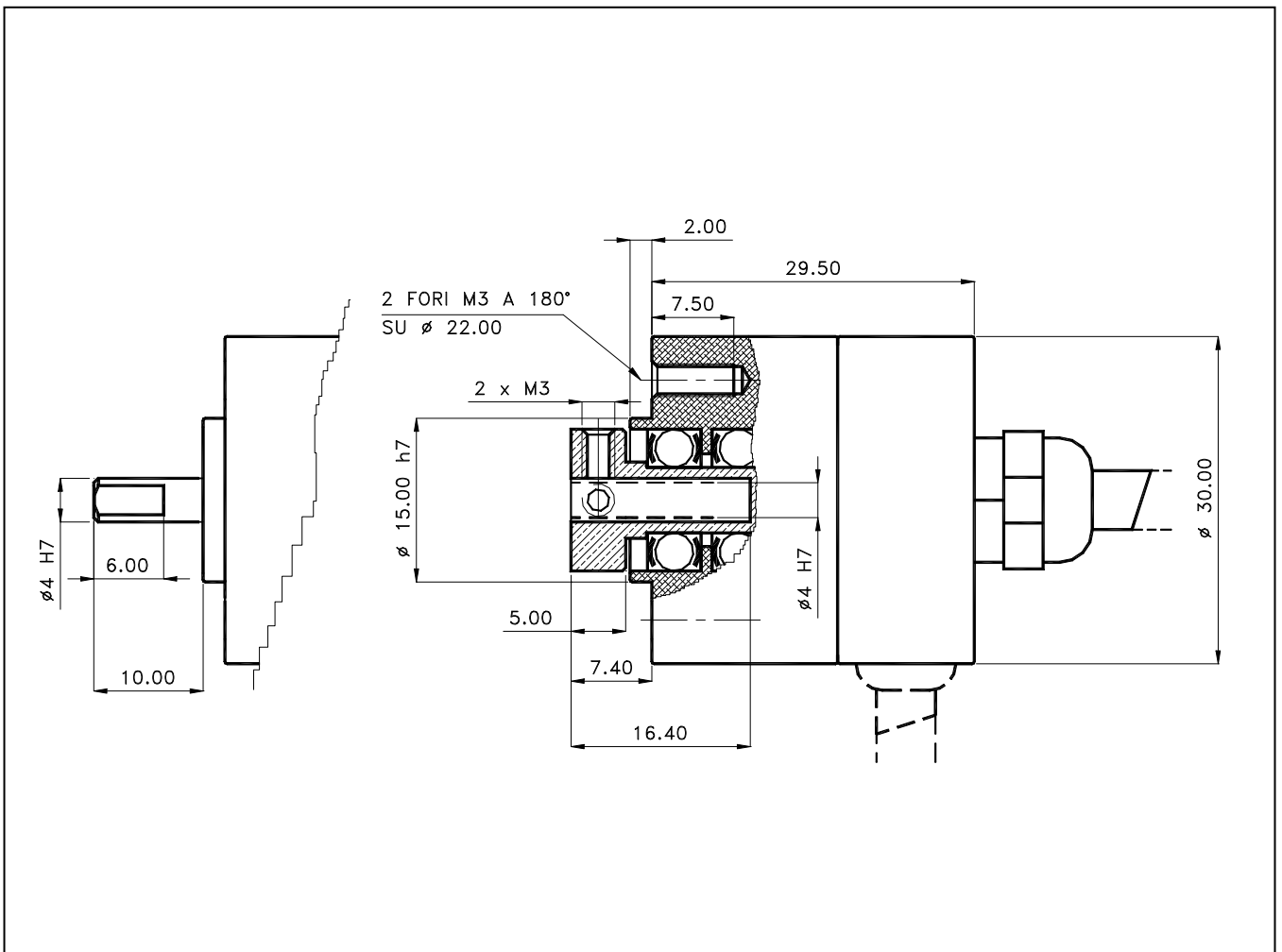
Very compact incremental shaft encoder, solid shaft or semi-hollow

Mechanics Data

Body:	ABS nickel-plated
Cover:	Aluminium
Semi-hollow shaft:	Nickel-plated
Solid shaft:	Stainless steel
Bearings:	2, ballraces
Weight:	Approx.130gr.
Protection:	IP54
Rpm:	6000 Max
Torque:	3Ncm
Inertia:	5gcm ²
Shaft loading:	Axial 30N - Radial 30N (max. value)

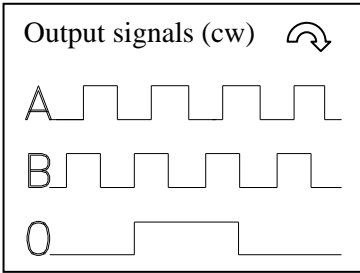


Dimensions in mm.



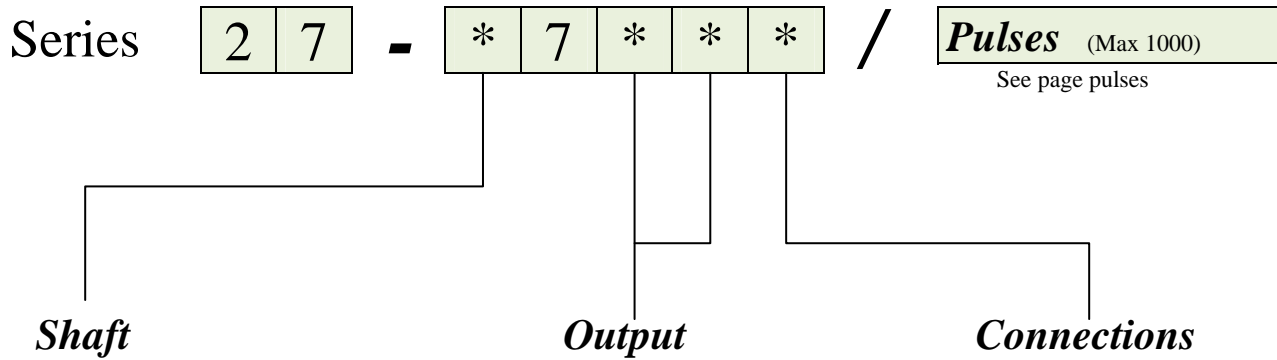
Series 27

Electronics Data



Power supply: from 5 to 24V depends on the electronics circuit
 Current consumption: 40/80mA depends on the electronics circuit
 Permissible load: 20mA
 Frequency: 50KHz
 Protections: Against short circuit, reversal polarity
 Operating Temp.: -10/+60°C

Ordering code



2 = Solid Ø 4mm
 (Length 10mm)
 P = Semi-hollow Ø 4mm

On request

5 = ø 5mm
 (Length 12,5mm)

6 = ø 6mm
 (Length 10mm)

7 0 = AB	NPN	5..24V
0 0 = AB0	NPN	5..24V
7 A = AB	Open C.	5..24V
0 A = AB0	Open C.	5..24V
2 0 = AB+AB̄	PP	8..24V
1 0 = AB0+AB0̄	PP	8..24V
1 W = AB0+AB0̄	PP	8..24V *
1 Z = AB0+AB0̄	PP	8..24V *
6 0 = AB+AB̄	LD	5V
8 0 = AB0+AB0̄	LD	5V
8 W = AB0+AB0̄	LD	5V *
8 Z = AB0+AB0̄	LD	5V*

0 = Cable 5P Axial
 R = Cable 5P Radial
2 = Cable 8P Axial
 8 = Cable 8P Radial

*Outputs W: zero pulses hooked to 90° (obligatory for versions >500pulses/turn)
 *Outputs Z: zero pulses hooked to 90° 180° (no for versions >500 pulses/turn)

Preferably versions are printed in bold type

Connections

	0 Volt	+ Volt	A	B	Ā	B̄	0	0̄
Cable 5 Way	White	Brown	Green	Yellow			Gray	
Cable 8 Way	Black	Blu	Brown	Beige	Green	Yellow	Pink	Violet