

Series 20

Very compact incremental shaft encoder, with incorporated couplings

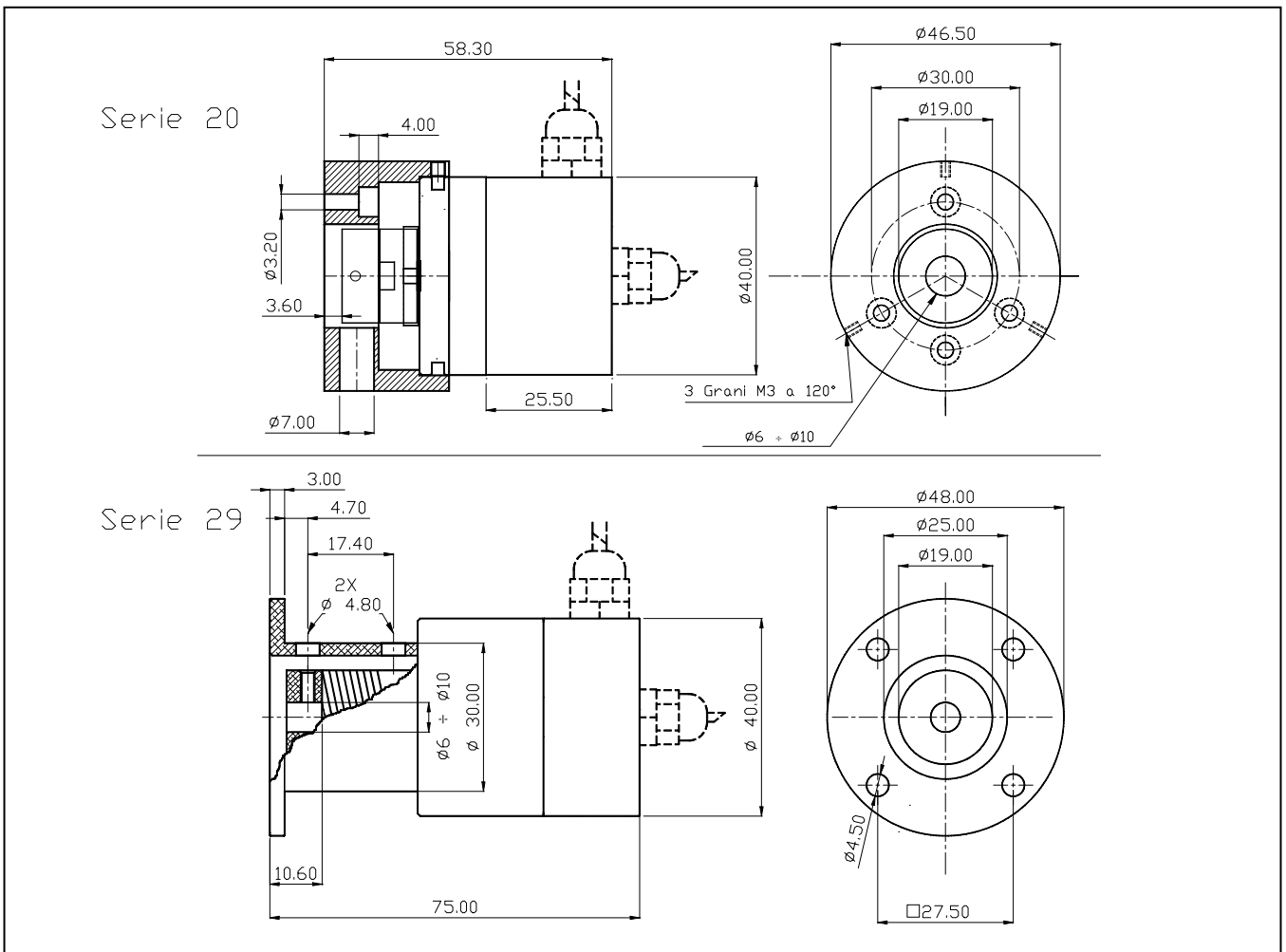
Series 29

Mechanics Data

Body and cover:	Chromium plated
aluminium	
Attachment semi-hollow:	Coupling brass
Solid shaft:	Stainless steel
Bearings:	2, ballraces
Weight:	Approx.200gr.
Protection:	IP65
Rpm:	6000 Max
Torque:	3Ncm
Inertia:	10gcm ²
Shaft loading:	Axial 30N - Radial 30N (max. value)

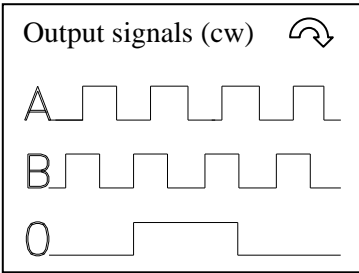


Dimensions in mm



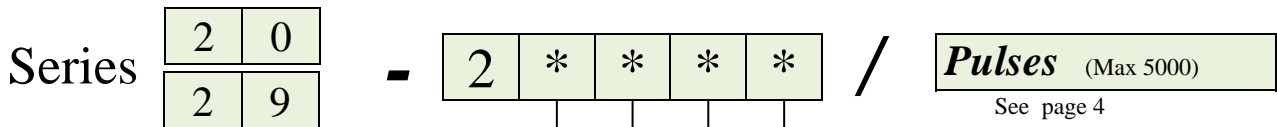
Series 20
Series 29

Electronics Data



Power supply: from 5 to 24V depends on the electronics circuit
 Current consumption: 40/80mA depends on the electronics circuit
 Permissible load: 20mA
 Frequency: 160KHz
 Zero pulses: In function of the frequency of A e B (max 50KHz)
 Protections: Against short circuit, reversal polarity
 Operating Temp.: -20/+60°C

Ordering code



Shaft/Coupling

- 6 = Ø 6mm
- 7 = Ø 7mm
- 8 = Ø 8mm
- 9 = Ø 9.52mm
- 0 = Ø 10mm

Outputs

- 7 0 = AB NPN 5..24V
- 0 0 = AB0 NPN 5..24V
- 7 A = AB Open C. 5..24V
- 0 A = AB0 Open C. 5..24V
- 2 B = AB+AB PP 8..24V
- 1 B = AB0+AB0 PP 8..24V
- 6 0 = AB+AB LD 5V
- 8 0 = AB0+AB0 LD 5V
- 8 Z = AB0+AB0 LD 5V (0 locked to 180°)
- 8 W = AB0+AB0 LD 5V (0 locked to 90°)
- K W = AB0+AB0 LD IN 8/24 OUT 5V - 20mA ch. (0 locked to +90°)

Connections

- 0 = Cable 5P Axial
- R = Cavo 5P Radial
- 3 = 9414 5P Axial
- 1 = 9415 9P Axial
- 7 = 9415 9P Radial
- 2 = Cavo 8P Axial
- 8 = Cavo 8P Radial

Connections

	0 Volt	+ Volt	A	B	\overline{A}	\overline{B}	$\overline{0}$	$\overline{0}$
Cable 5 Way	White	Brown	Green	Yellow			Gray	
Cable 8 Way	Black	Blue	Brown	Beige	Green	Yellow	Pink	Violet
Connector 9415	Pin1	Pin2	Pin3	Pin4	Pin5	Pin6	Pin7	Pin8
Connector 9414	Pin1	Pin2	Pin3	Pin4			Pin5	