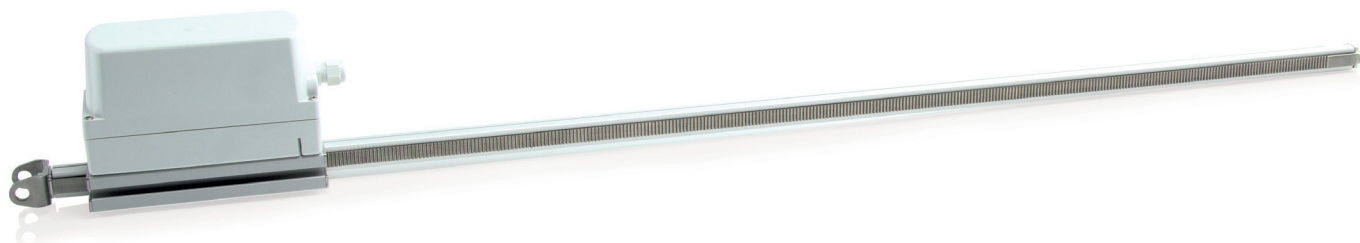


DXD 300-BSY+ drive



Performance features

- » Can be used for openings for smoke exhaust; D+H Euro SHEV in accordance with EN 12101-2; and for daily ventilation
- » With integrated BSY+ motor and synchronised electronics controlled via microprocessor
- » High-speed function (HS) for especially fast opening windows in case of fire (SHEV)
- » Option of up to 4 drives in one synchronous group
- » Groove in the drive tube for flexible installation and configuration of the swivel range
- » Option of cable infeed above and below
- » Programmable drive functions and different drive parameters
- » Running speed in CLOSED direction decreases to 5 mm/s (passive closing edge protection)
- » Time-controlled reversing when an obstacle is detected in the CLOSED direction (active closing edge protection)

Accessories

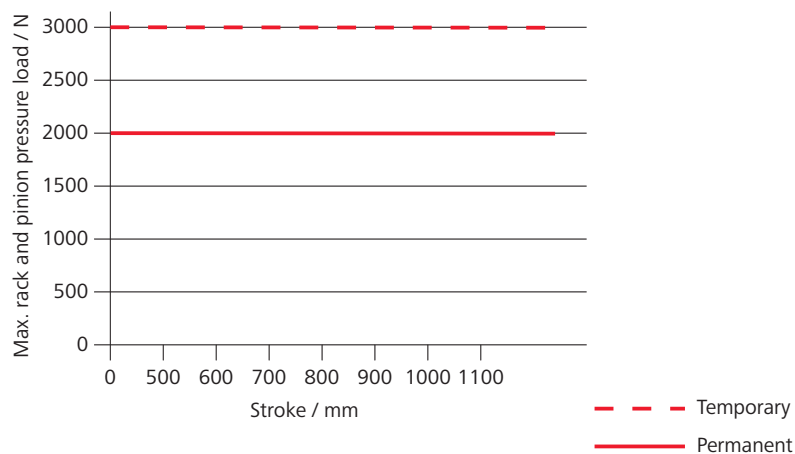
Brackets



Cables



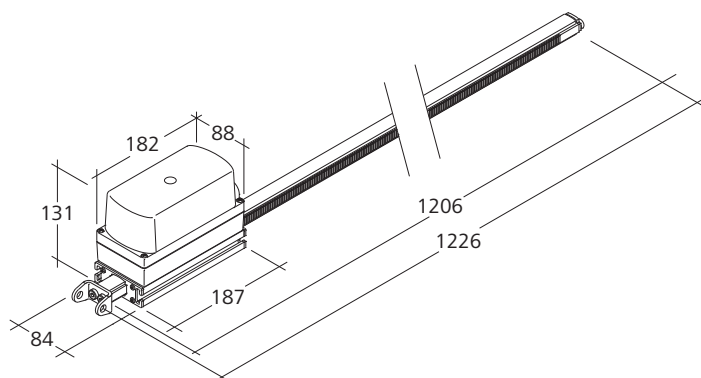
Pressure load diagram



Technical data

Supply	24 V DC / $\pm 15\%$ / 5 A
Duty cycle	30 %
Force of pressure	3000 N
Tensile force	2000 N
Nominal locking force	2200 N
Stroke	1000 mm
Service life	> 10000 double strokes
OPEN running speed	7.1 mm/s
OPEN running speed-HS	17 mm/s
CLOSED running speed	7.1 mm/s
Type of protection	IP 64
Fire resistance	B300 (30 min/300 °C)
Temperature range	-5 °C ... +75 °C
Housing	Aluminium
Surface	Anodized
Colour	Silver (~ RAL 9006)
Connection	2.5 m silicone-cable
W x H x (D) in mm	88 x 187 x 131
Weight	6.70 kg

Dimensions

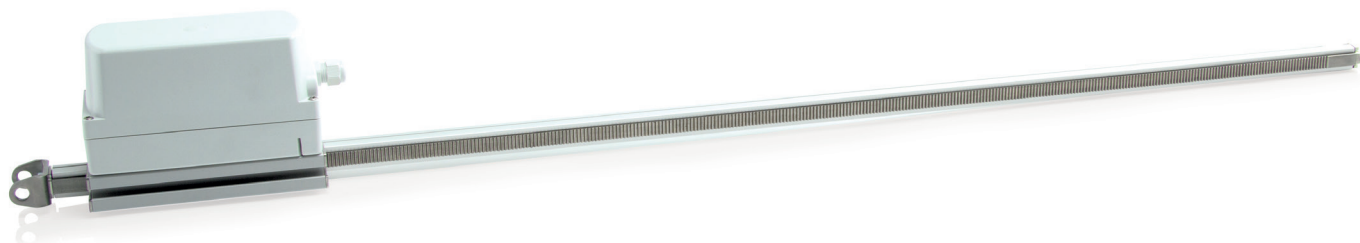


All specifications in mm

Design

Type	Art. No.	Remark
DXD 300/1000-BSY+ OT-HS	20.027.20	
DXD 300-BSY+	20.022.06	Variable equipment possible

DXD 300-K-BSY+ drive



Performance features

- » Can be used for openings for smoke exhaust; D+H Euro SHEV in accordance with EN 12101-2; and for daily ventilation
- » With integrated BSY+ motor and synchronised electronics controlled via microprocessor
- » Direct control via 230 V AC
- » High-speed function (HS) for especially fast opening windows in case of fire (SHEV)
- » Option of up to 4 drives in one synchronous group
- » Groove in the drive tube for flexible installation and configuration of the swivel range
- » Option of cable infeed above and below
- » Programmable drive functions and different drive parameters
- » Running speed in CLOSED direction decreases to 5 mm/s (passive closing edge protection)
- » Time-controlled reversing when an obstacle is detected in the CLOSED direction (active closing edge protection)

Accessories

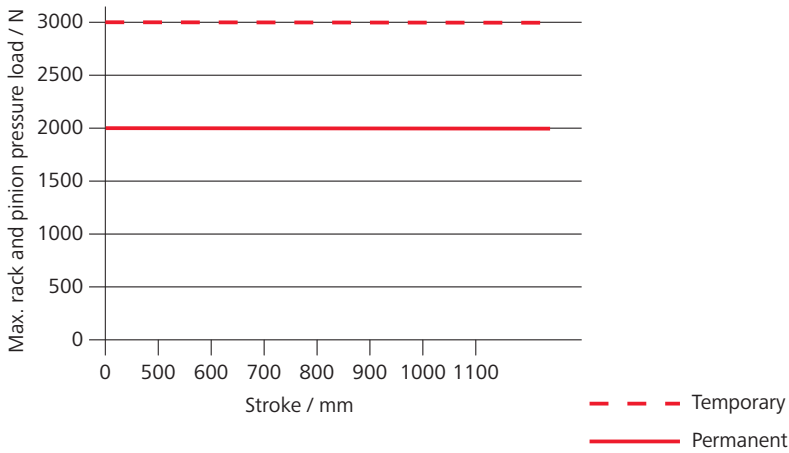
Brackets



Cables



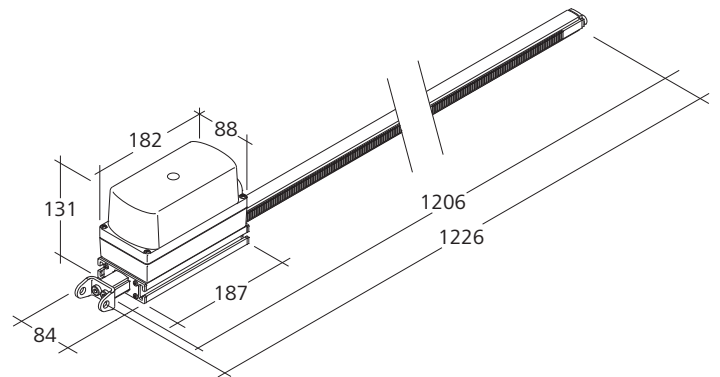
Pressure load diagram



Technical data

Supply	230 V AC / ± 10 % / 50 Hz
Performance	140 W / 175 VA
Duty cycle	30 %
Force of pressure	3000 N
Tensile force	2000 N
Nominal locking force	2200 N
Stroke	1000 mm
Service life	> 10000 double strokes
OPEN running speed	7.1 mm/s
OPEN running speed-HS	17 mm/s
CLOSED running speed	7.1 mm/s
Type of protection	IP 64
Temperature range	-5 °C ... +75 °C
Fire resistance	B300 (30 min/300 °C)
Housing	Aluminium
Surface	Anodized
Colour	Silver (~ RAL 9006)
Connection	2.5 m silicone-cable
W x H x (D) in mm	88 x 187 x 131
Weight	6.70 kg

Dimensions

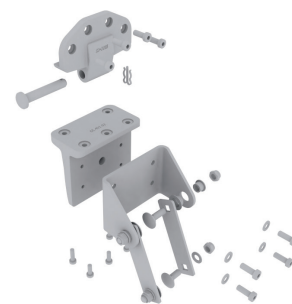
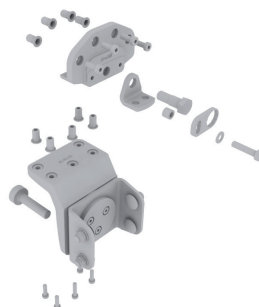


All specifications in mm

Design

Type	Art. No.	Remark
DXD 300/1000-K-BSY+ OT HS	20.027.30	
DXD 300-K-BSY+	20.022.08	Variable equipment possible

Bracket sets for DXD



DXD-BS011-OM

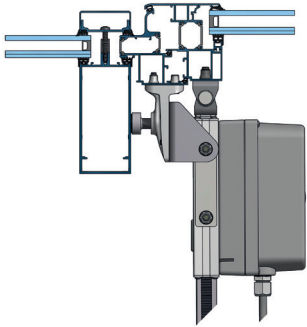
DXD-BS012-SM

DXD-BS036-OM

Performance features

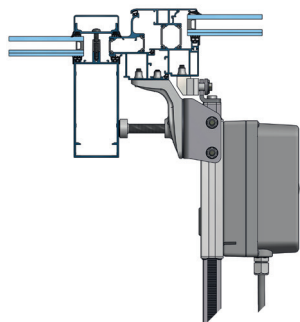
- » Optimal adaptation of bracket sets to the respective profile system
- » Solutions tested as complete systems for SHEV applications in accordance with EN 12101-2
- » All materials required fastening materials are included in the scope of supply of the bracket sets
- » Special colour as an option at the customer's request
- » Application drawings suitable for window and façade manufacturers available

Roof windows, outward-opening, installation opposite the hinge



Profile manufacturer	Profile series	Art. No.	Bracket set	Weight	Remark
Aluprof®	MB-RW	27.ADS.KS	DXD-BS038-OM	0.64 kg	
Colt®	Kameleon E	27.ACP.KS	DXD-BS025-OM	0.99 kg	
Gutmann®	S70	27.AAZ.KS	DXD-BS011-OM	0.64 kg	
Heroal®	180	27.ABS.KS	DXD-BS009-OM	0.65 kg	
Hueck®	1.0 (519510)	27.ABM.KS	DXD-BS015-OM	0.64 kg	
Hueck®	1.0 (519511)	27.ACB.KS	DXD-BS017-OM	0.64 kg	
Hueck®	85E	27.ABH.KS	DXD-BS013-OM	0.64 kg	
Jet-Brakel®	Ventria TG	27.ACF.KS	DXD-BS021-OM	0.85 kg	
Raico®	WING 105DI (208310)	27.ADD.KS	DXD-BS036-OM	0.64 kg	
Raico®	WING 105DI (208312)	27.ADE.KS	DXD-BS037-OM	0.64 kg	
Reynaers®	CR 120	27.ACL.KS	DXD-BS023-OM	0.38 kg	
Reynaers®	Flush Roof Vent	27.ADM.KS	DXD-BS031-OM	0.64 kg	
SAPA®	SFB 5050	27.ACD.KS	DXD-BS019-OM	0.64 kg	
SAPA®	SFB 5060	27.ACD.KS	DXD-BS019-OM	0.64 kg	
Schüco®	AWS 57 RO	27.ACW.KS	DXD-BS028-OM	0.40 kg	
Schüco®	Royal S 106D	27.AAP.KS	DXD-BS005-OM	0.37 kg	
Schüco®	Royal S 88D	27.ABD.KS	DXD-BS007-OM	0.37 kg	
Wicona®	Wictec 50/60	27.AAK.KS	DXD-BS003-OM	0.64 kg	

Roof windows, outward-opening, side installation



Profile manufacturer	Profile series	Art. No.	Bracket set	Weight	Remark
Aluprof®	MB-RW	27.ADT.KS	DXD-BS039-SM	0.64 kg	
Aluprof®	MB-SR50	27.ADA.KS	DXD-BS030-SM	0.35 kg	
Colt®	Kameleon E	27.ACR.KS	DXD-BS026-SM	1.19 kg	
Gutmann®	S70	27.ABB.KS	DXD-BS012-SM	0.64 kg	
Heroal®	180	27.ABU.KS	DXD-BS010-SM	0.65 kg	
Heroal®	180ES	27.ADR.KS	DXD-BS033-SM	0.64 kg	
Hueck®	1.0 (519510)	27.ABP.KS	DXD-BS016-SM	0.64 kg	
Hueck®	1.0 (519511)	27.ACC.KS	DXD-BS018-SM	0.64 kg	
Hueck®	85E	27.ABK.KS	DXD-BS014-SM	0.64 kg	
Jet-Brakel®	Ventria TG	27.ACG.KS	DXD-BS022-SM	0.64 kg	
Raico®	WING 105DI (208310)	27.ADB.KS	DXD-BS034-SM	0.64 kg	
Raico®	WING 105DI (208312)	27.ADC.KS	DXD-BS035-SM	0.64 kg	
Reynaers®	CR 120	27.ACM.KS	DXD-BS024-SM	0.64 kg	
Reynaers®	Flush Roof Vent	27.ADN.KS	DXD-BS032-SM	0.35 kg	
SAPA®	SFB 5050	27.ACE.KS	DXD-BS020-SM	0.64 kg	
SAPA®	SFB 5060	27.ACE.KS	DXD-BS020-SM	0.64 kg	
Schüco®	AWS 57 RO	27.ACX.KS	DXD-BS029-SM	0.40 kg	
Schüco®	Royal S 106D	27.AAR.KS	DXD-BS006-SM	0.64 kg	
Schüco®	Royal S 88D	27.ABF.KS	DXD-BS008-SM	0.37 kg	
Wicona®	Wictec 50/60	27.AAG.KS	DXD-BS001-SM	0.64 kg	

